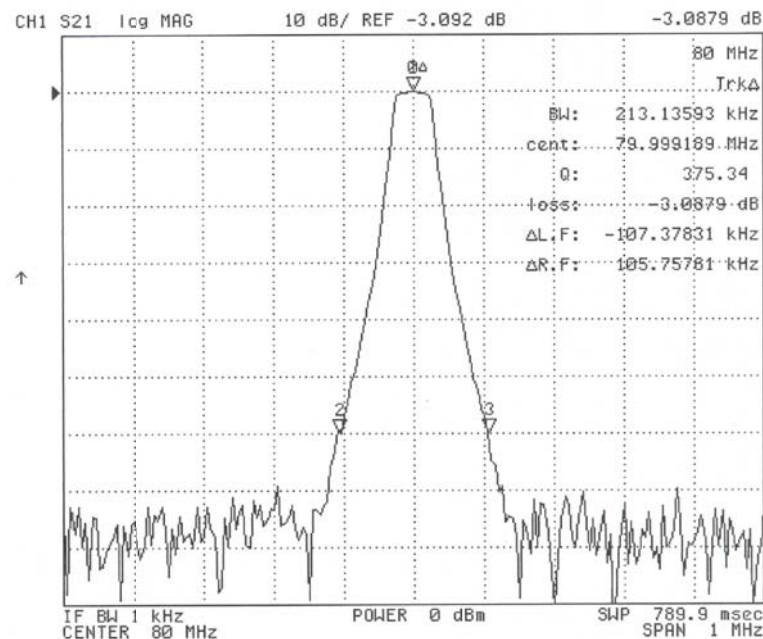
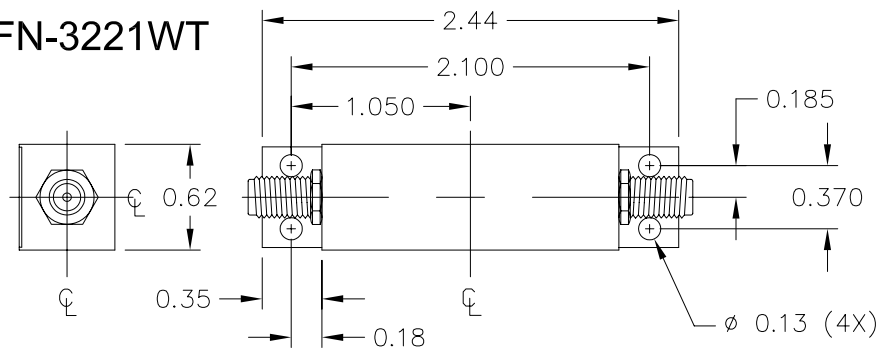


BANDPASS FILTER

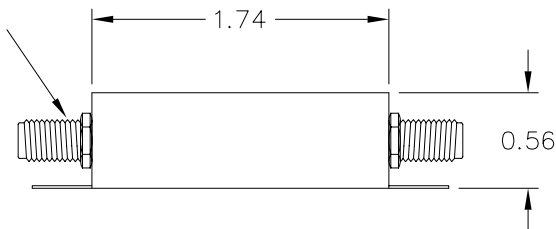
Fo: 80.0 MHz
IMPEDANCE : 50 OHMS (IN & OUT)
INSERTION LOSS: 4.0 dB MAX, 3 dB TYPICAL
RIPPLE: 0.75 dB MAX
3dB BANDWIDTH: 50 KHz MIN
50dB BANDWIDTH: 220 KHz MAX
SPURIOUS ATTENUATION: 50 dB MIN
ULTIMATE ATTENUATION: 60 dB MIN
OPERATING TEMPERATURE : -20°C to +75°C



FN-3221WT



SMA (F) CONNECTOR (2x)



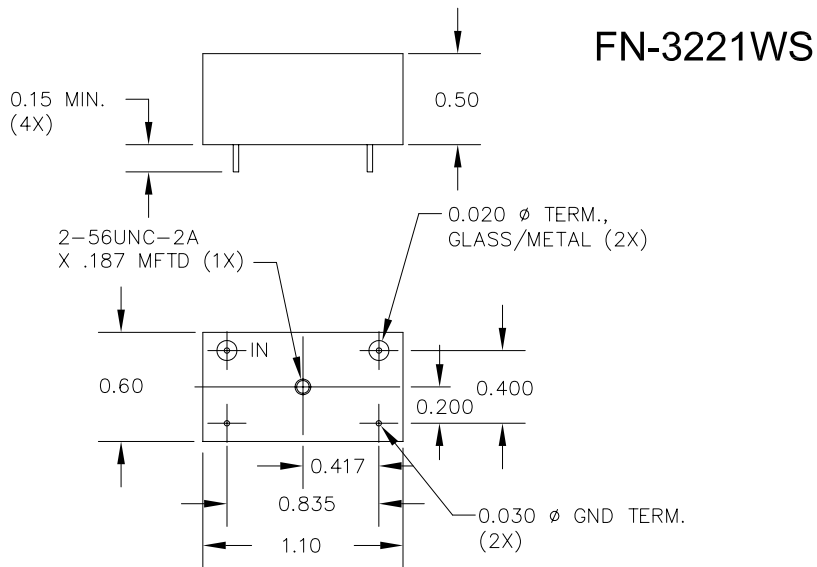
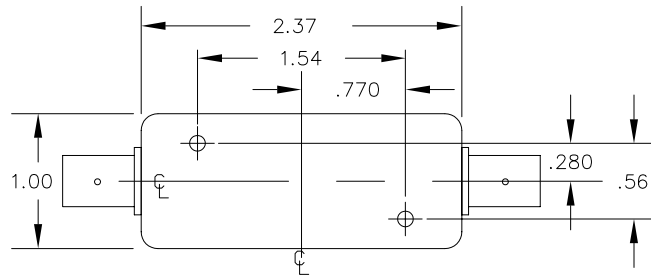
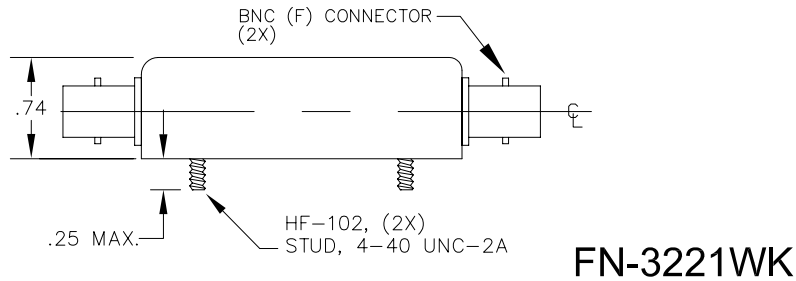
FN-3221W DRAWING SUMMARY SHEET 1 of 2

FILTRONETICS, INC.
 6010 PARRETTA DR.
 KANSAS CITY, MO 64120
 816-231-7375
 FAX 816-241-0368
 WWW.FILTRO.NET

TOLERANCES UNLESS NOTED

ANGLE = ± 1°	HOLES ± .002
.XX = ± .020	
.XXX = ± .010	

REVISED 3/27/06



FN-3221W DRAWING SUMMARY SHEET 2 of 2

FILTRONETICS, INC.
 6010 PARRETTA DR.
 KANSAS CITY, MO 64120
 816-231-7375
 FAX 816-241-0368
 WWW.FILTRO.NET

TOLERANCES UNLESS NOTED

ANGLE = $\pm 1^\circ$	HOLES $\pm .002$
.XX = $\pm .020$	
.XXX = $\pm .010$	

REVISED 3/27/06

