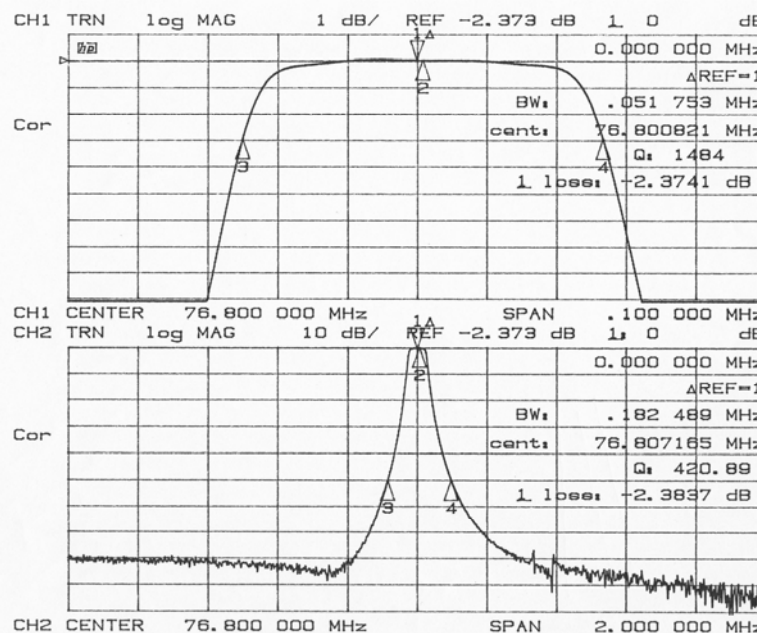
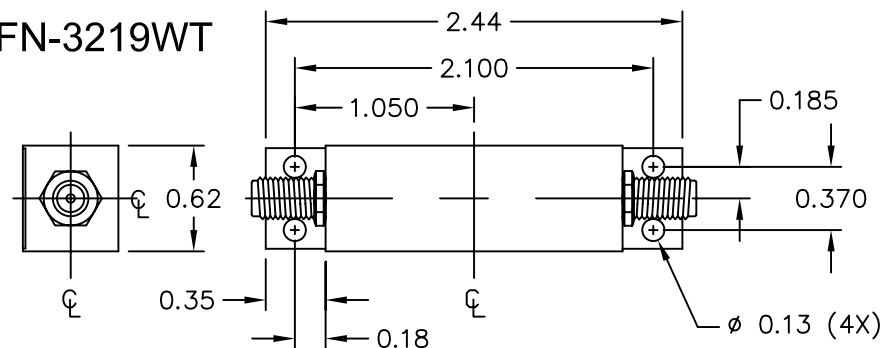


# BANDPASS FILTER

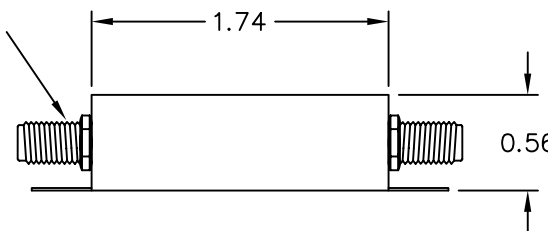
**Fo:** 76.8 MHz  
**IMPEDANCE :** 50 OHMS (IN & OUT)  
**INSERTION LOSS:** 4.5 dB MAX  
**RIPPLE:** 0.75 dB MAX  
**3dB BANDWIDTH:** 50 KHz MIN  
**50dB BANDWIDTH:** 220 KHz MAX  
**SPURIOUS ATTENUATION:** 50 dB MIN  
**ULTIMATE ATTENUATION:** 60 dB MIN  
**OPERATING TEMPERATURE :** -20°C to +75°C



## FN-3219WT



SMA (F) CONNECTOR (2x)



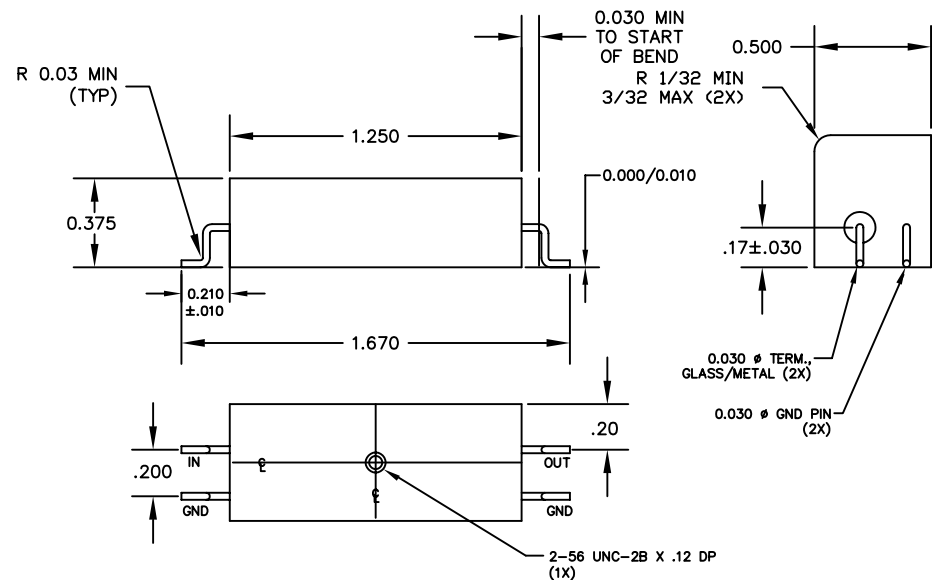
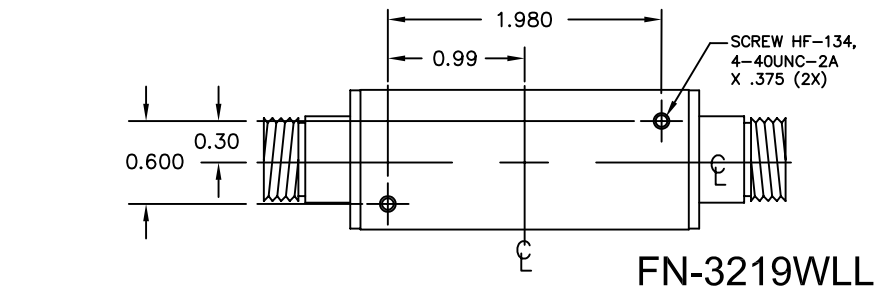
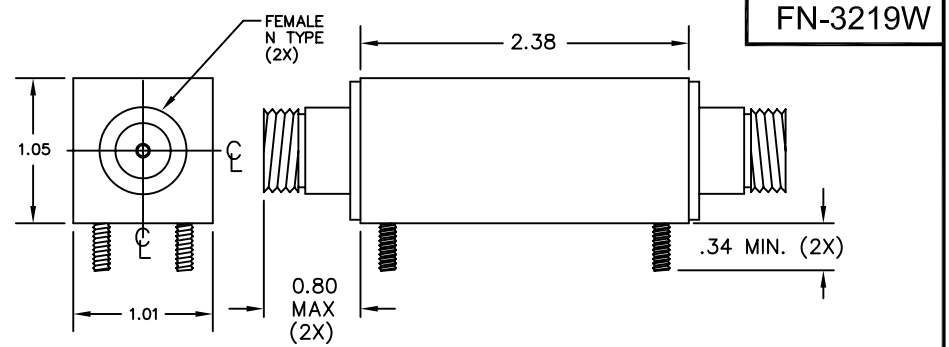
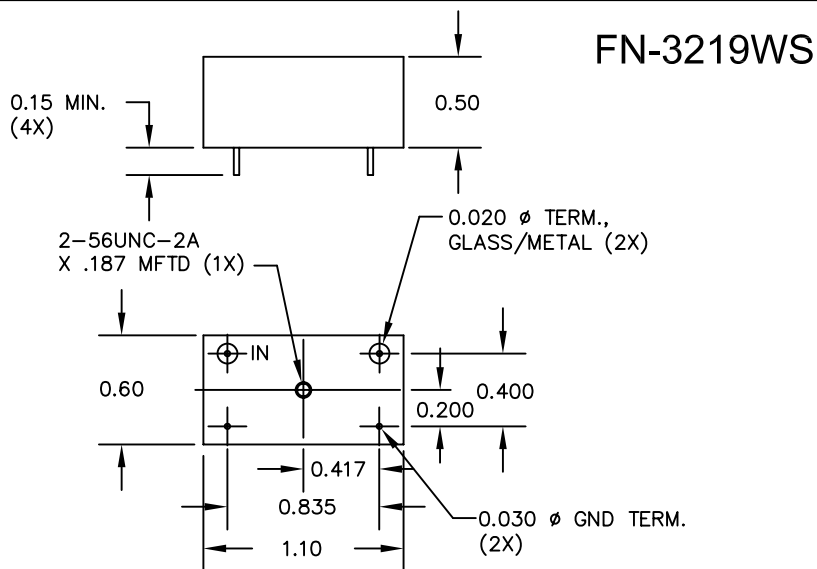
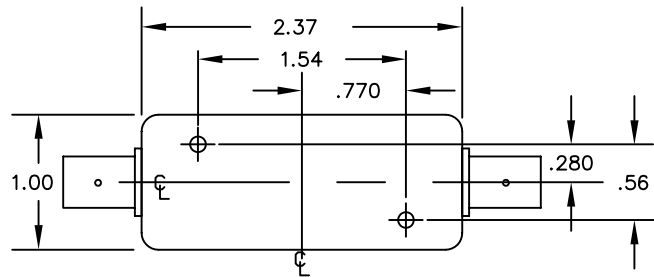
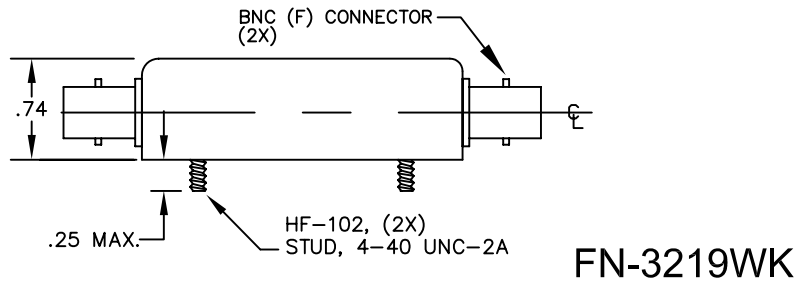
### FN-3219W DRAWING SUMMARY SHEET 1 of 2

**FILTRONETICS, INC.**  
 6010 PARRETTA DR.  
 KANSAS CITY, MO 64120  
 816-231-7375  
 FAX 816-241-0368  
 WWW.FILTRO.NET

TOLERANCES UNLESS NOTED

ANGLE = ± 1°	HOLES
.XX = ± .020	± .002
.XXX = ± .010	

REVISED 05/29/12 ECO 4379



**FN-3219W DRAWING SUMMARY SHEET 2 of 2**

**FILTRONETICS, INC.**  
6010 PARRETTA DR.  
KANSAS CITY, MO 64120  
816-231-7375  
FAX 816-241-0368  
WWW.FILTRO.NET

TOLERANCES UNLESS NOTED

ANGLE = $\pm 1^\circ$	HOLES
.XX = $\pm .020$	$\pm .002$
.XXX = $\pm .010$	

REVISED 05/29/12 ECO 4379