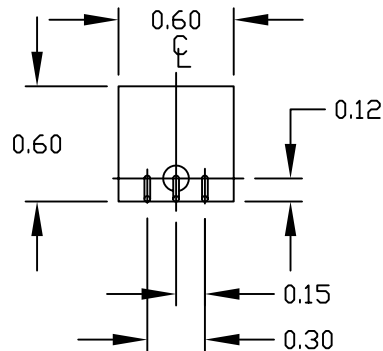
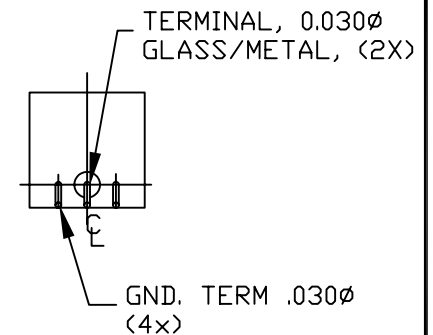
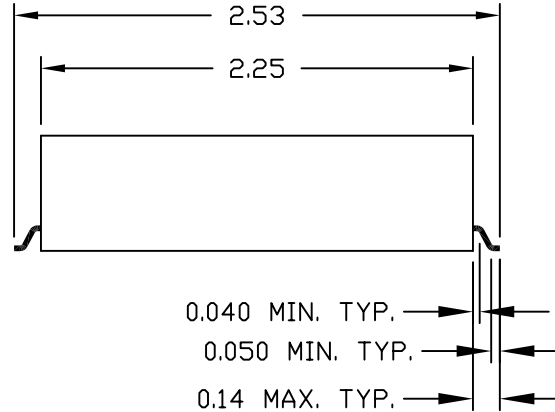


LC BANDPASS FILTER

CENTER FREQUENCY (Fo): 10.7 MHz
 INSERTION LOSS: 4 dB MAX
 3 dBc BANDWIDTH: ±250 KHz MIN
 PASSBAND RIPPLE: 1 dB MAX
 VSWR @ Fo: 1.4:1 MAX
 STOPBAND: 30 dB Min @ ±500 KHz
 ULTIMATE: 70 dB MIN
 IMPEDANCE : 50 ohms
 INPUT POWER: ±10 dBm MAX, 15 dBm without damage
 TEMPERATURE: -40°C TO +85°C
 WRKMANSHIP: J-STD-001 CLASS 2



CAN = FA-579
 COVER=FB-561



FN-3182W DRAWING SUMMARY

FILTRONETICS, INC.
 6010 PARRETTA DR.
 KANSAS CITY, MO 64120
 816-231-7375
 FAX 816-241-0368
 WWW.FILTRO.NET

TOLERANCES UNLESS NOTED

ANGLE = ± 1°	HOLES
.XX = ± .020	± .002
.XXX = ± .010	

REVISED 04/02/2013