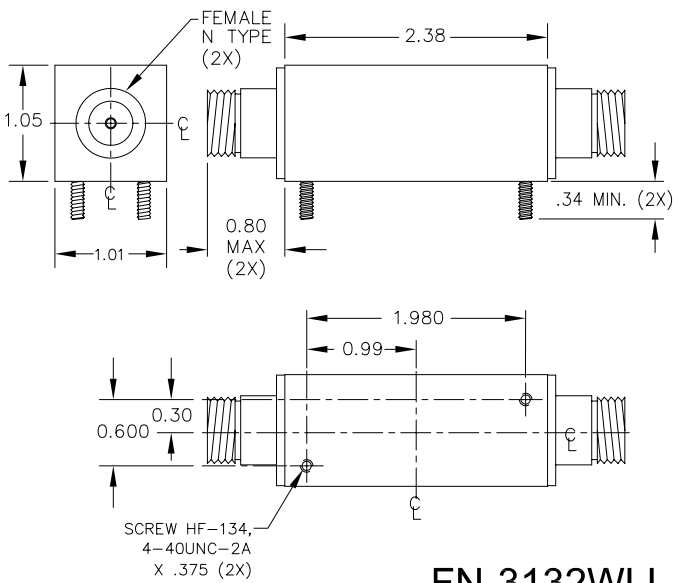
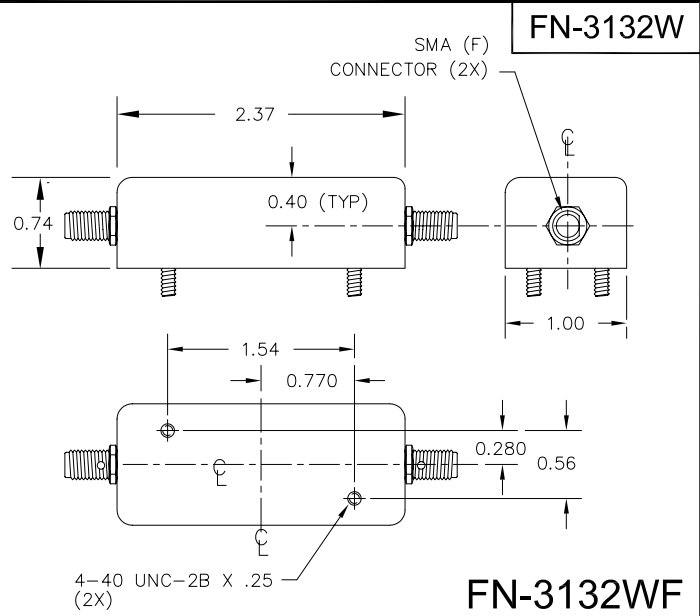
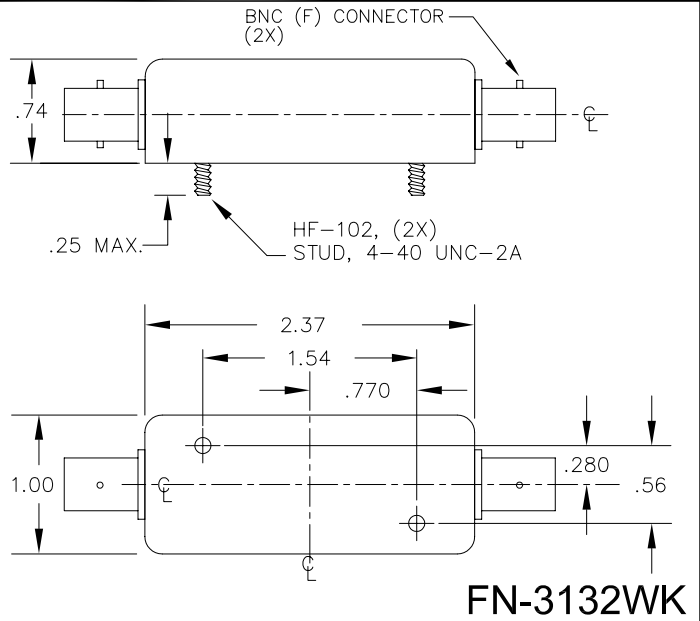


HIGH PASS FILTER

Fc: 30 MHz
IMPEDANCE : 50 OHMS
INSERTION LOSS: 1 dB MAX, 30 to 600 MHz
RIPPLE: 0.5 dB MAX
30 dB MIN: 20 to 25 MHz
40 dB MIN: DC to 20 MHz
INPUT POWER: 50 WATTS MAX
OPERATING TEMPERATURE : -20°C to +85°C



FN-3132WLL



FN-3132WK

FN-3132W DRAWING SUMMARY

FILTRONETICS, INC.
 6010 PARRETTA DR.
 KANSAS CITY, MO 64120
 816-231-7375
 FAX 816-241-0368
 WWW.FILTRO.NET

TOLERANCES UNLESS NOTED

.XX = ± .020
.XXX = ± .010

ANGLE = ± 1°
HOLES = ± .002

REVISED 7/15/2003

