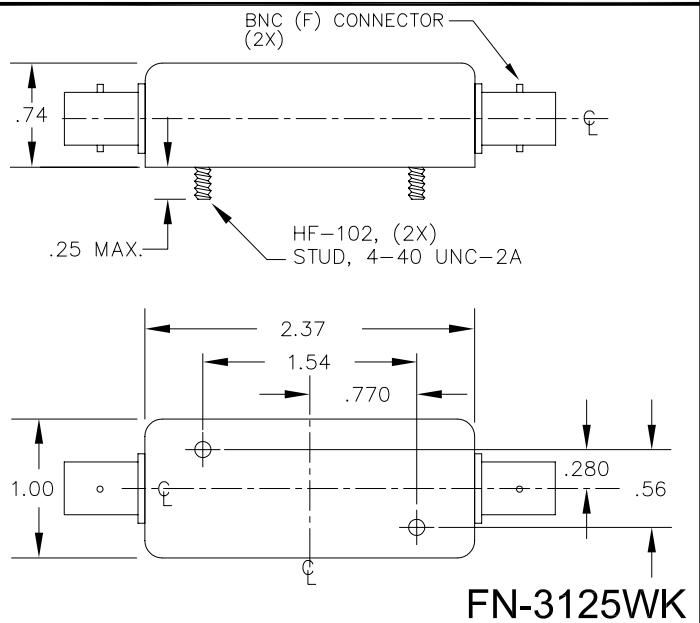
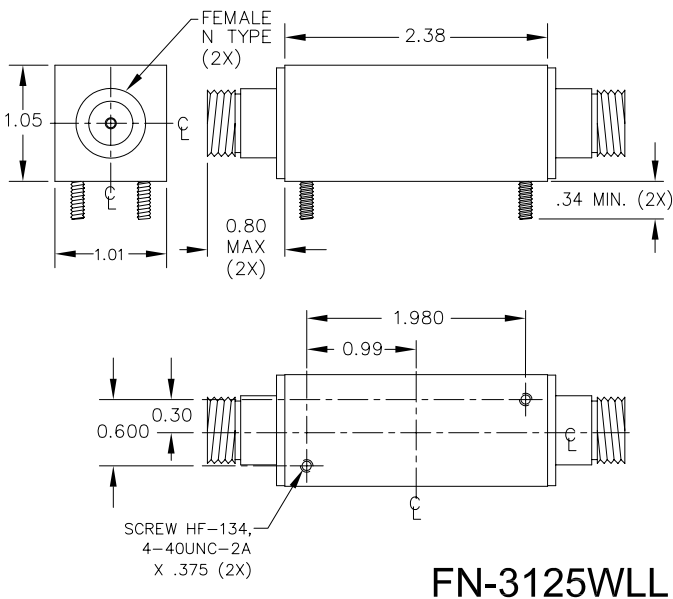
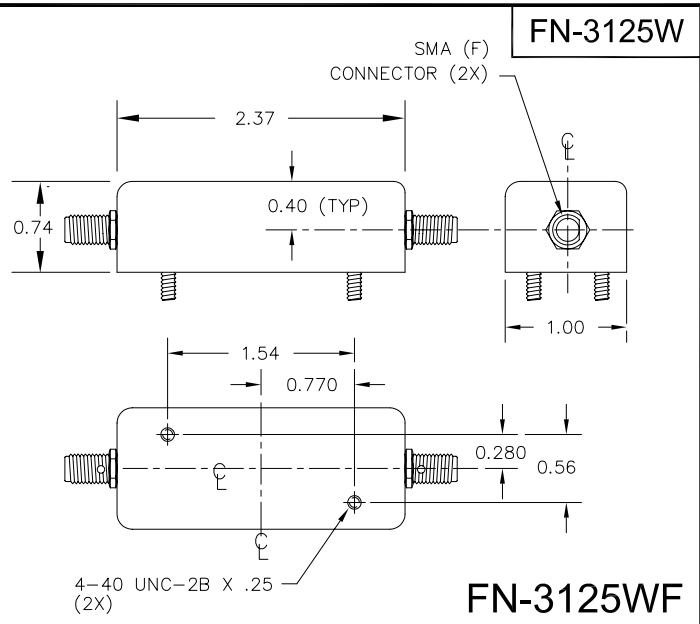


# HIGH PASS FILTER

**Fc:** 138 MHz  
**IMPEDANCE :** 50 OHMS  
**INSERTION LOSS:** 1 dB MAX, 138 to 250 MHz  
**RIPPLE:** 0.25 dB MAX  
**20 dB MIN:** 100 to 122 MHz  
**30 dB MIN:** DC to 100 MHz  
**INPUT POWER:** 10 WATTS MAX  
**OPERATING TEMPERATURE :** -40°C to +85°C



**FN-3125WLL**

**FN-3125WK**

## FN-3125W DRAWING SUMMARY

**FILTRONETICS, INC.**  
 6010 PARRETTA DR.  
 KANSAS CITY, MO 64120  
 816-231-7375  
 FAX 816-241-0368  
 WWW.FILTRO.NET

TOLERANCES UNLESS NOTED

.XX = ± .020  
.XXX = ± .010

ANGLE = ± 1°  
HOLES = ± .002

REVISED 7/15/2003

