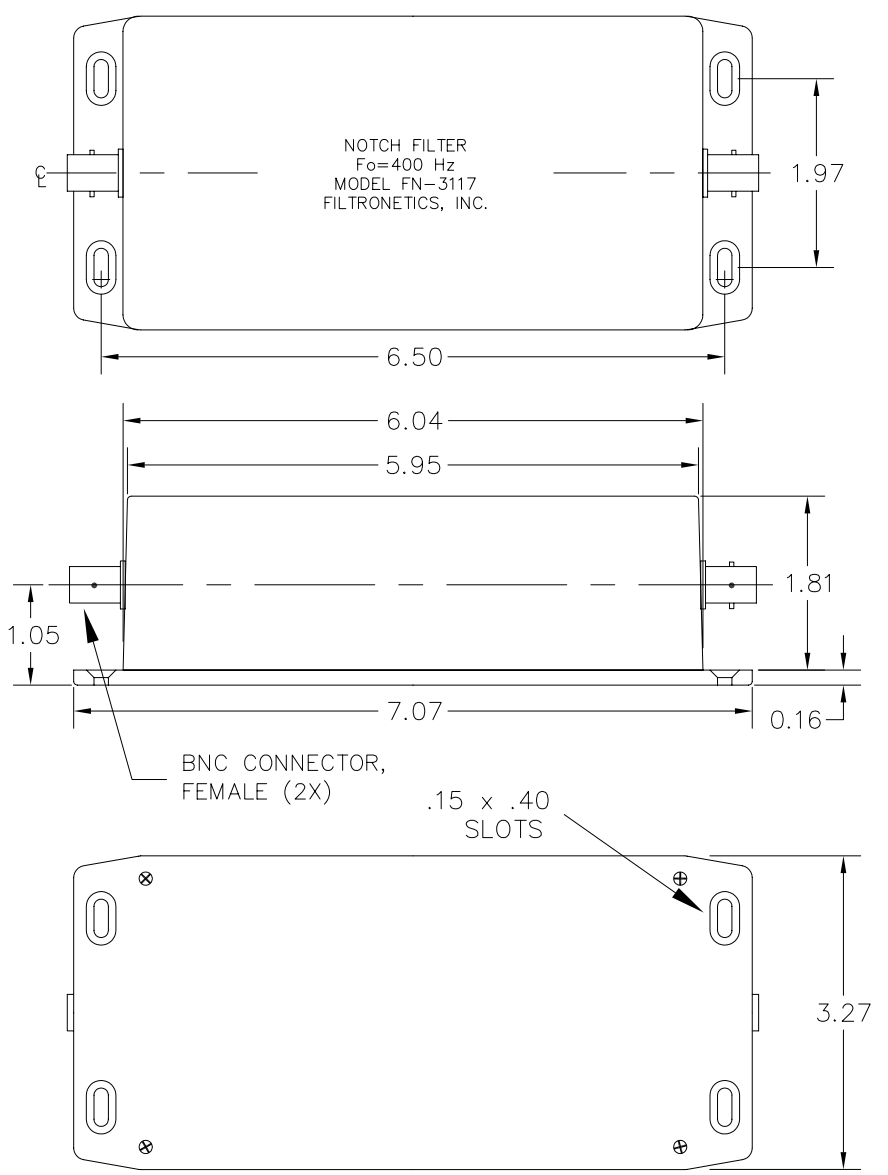
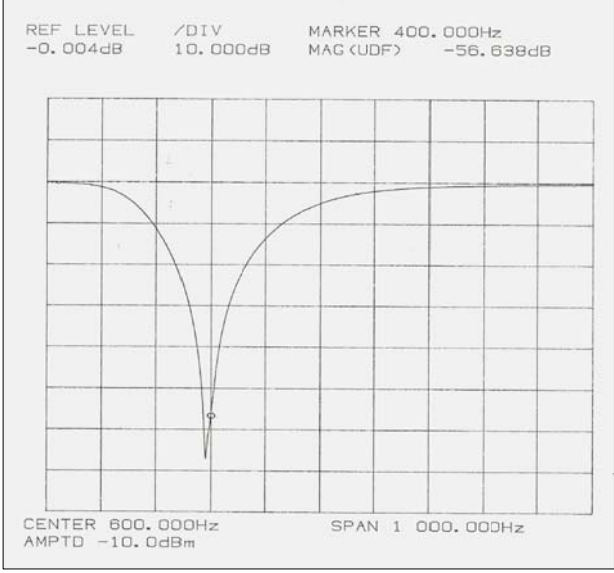


BAND STOP FILTER

Fo: 400 Hz
IMPEDANCE : 50 ohm
INSERTION LOSS: 0.5 dB MAX
RIPPLE: 0.5 dB MAX
20dB BANDWIDTH: 180 Hz MAX
40dB BANDWIDTH: 10 Hz MIN
50dB BANDWIDTH: 4 Hz MIN
PASSBAND: DC to 10 MHz
INPUT LEVEL: 20 VRMS MAX
OPERATING TEMPERATURE : 0°C to +50°C



FN-3117W DRAWING SUMMARY

FILTRONETICS, INC.
 6010 PARRETTA DR.
 KANSAS CITY, MO 64120
 816-231-7375
 FAX 816-241-0368
 WWW.FILTRO.NET

TOLERANCES UNLESS NOTED
 ANGLE = ± 1°
 .XX = ± .020
 .XXX = ± .010
 HOLES ± .002
 REVISED 7/1/03