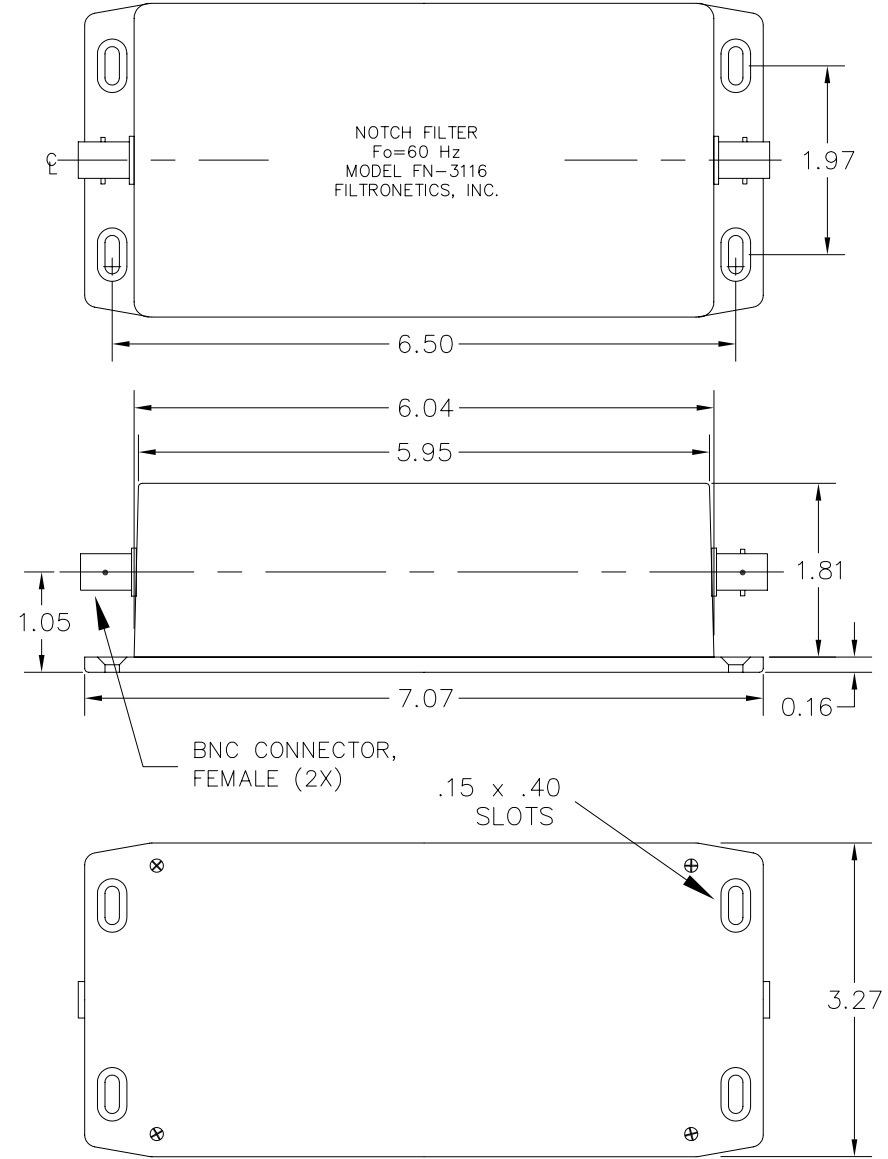
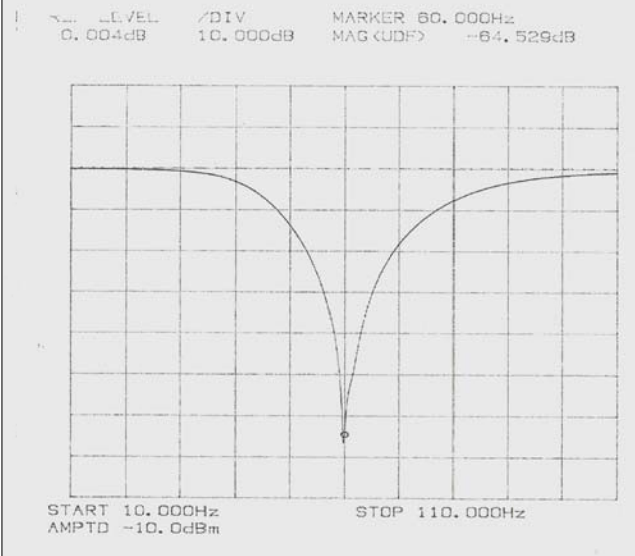


FN-3116W

BAND STOP FILTER

Fo: 60 Hz
IMPEDANCE : 50 ohm
INSERTION LOSS: 0.5 dB MAX
RIPPLE: 0.5 dB MAX
20dB BANDWIDTH: 20 Hz MAX
40dB BANDWIDTH: 2 Hz MIN
50dB BANDWIDTH: 1 Hz MIN
PASSBAND: DC to 3 MHz
INPUT LEVEL: 20 VRMS MAX
OPERATING TEMPERATURE : 0°C to +50°C



FN-3116W DRAWING SUMMARY

FILTRONETICS, INC.
 6010 PARRETTA DR.
 KANSAS CITY, MO 64120
 816-231-7375
 FAX 816-241-0368
 WWW.FILTRO.NET

TOLERANCES UNLESS NOTED

ANGLE = ± 1°	HOLES
.XX = ± .020	± .002
.XXX = ± .010	

REVISED 7/1/03