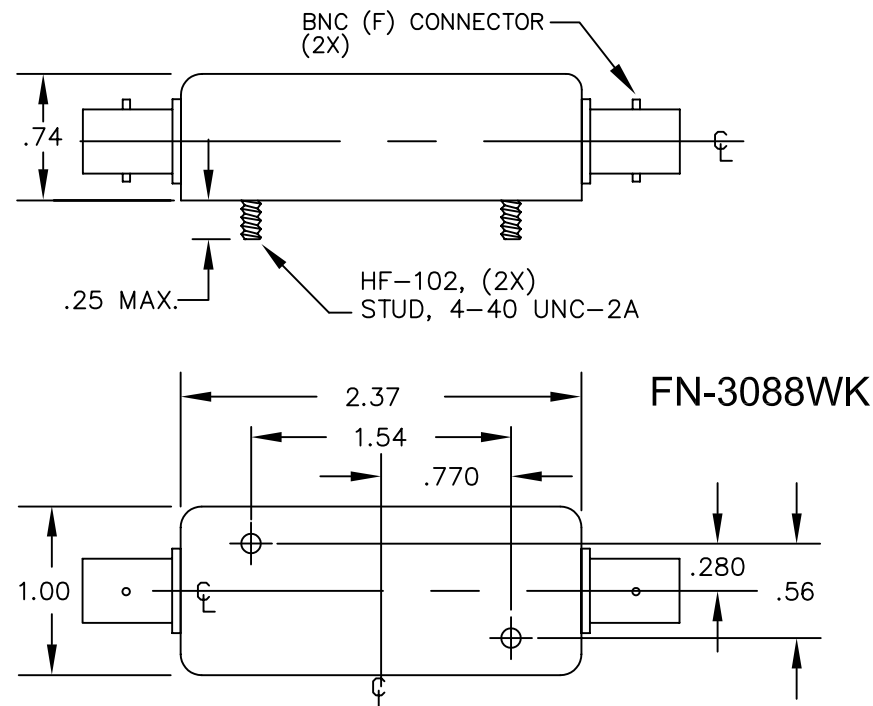
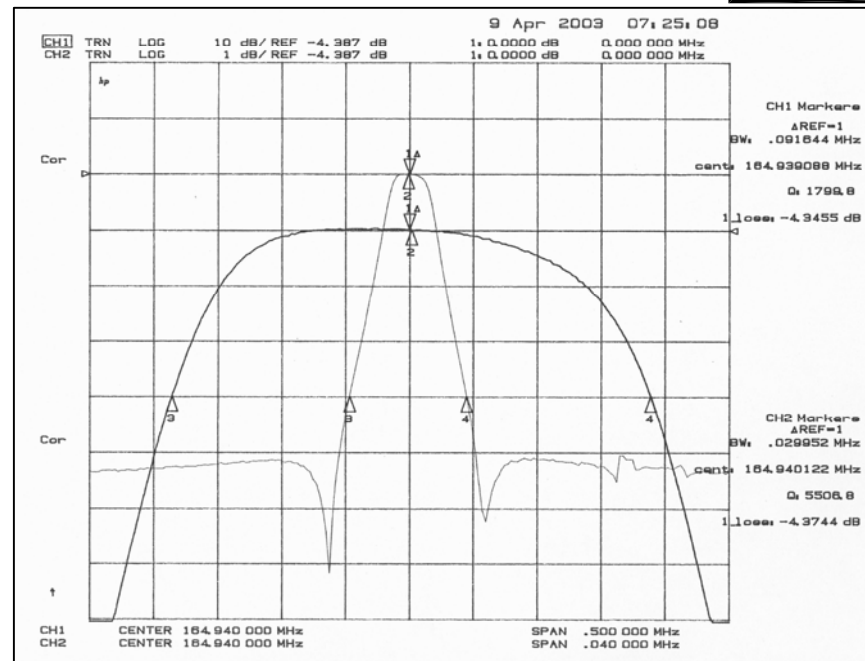


BANDPASS FILTER

- Fo: 164.940 MHz
- IMPEDANCE : 50 OHMS (IN & OUT)
- INSERTION LOSS: 5 dB MAX
- 3dB BANDWIDTH: 30 KHz (-5 KHz, +10 KHz)
- 40dB BANDWIDTH: ±60 KHz MAX
- ULTIMATE ATTENUATION: 40 dB MIN
- OPERATING TEMPERATURE : 0°C to +60°C
- MAXIMUM RECOMMENDED INPUT POWER: 0 dBm

A TYPICAL FRONT END VHF FILTER

OTHER CENTER FREQUENCIES & BANDWIDTHS AVAILABLE



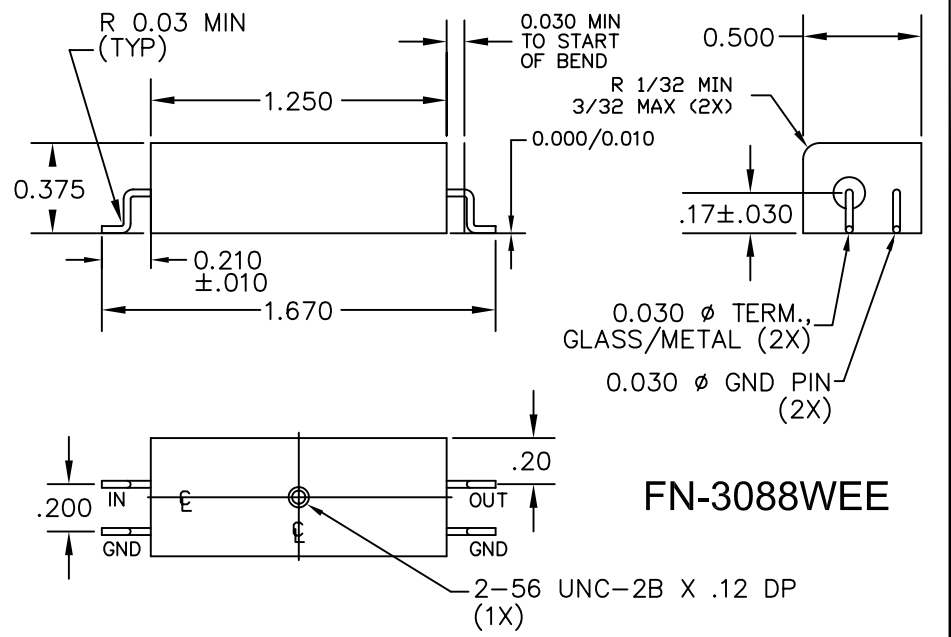
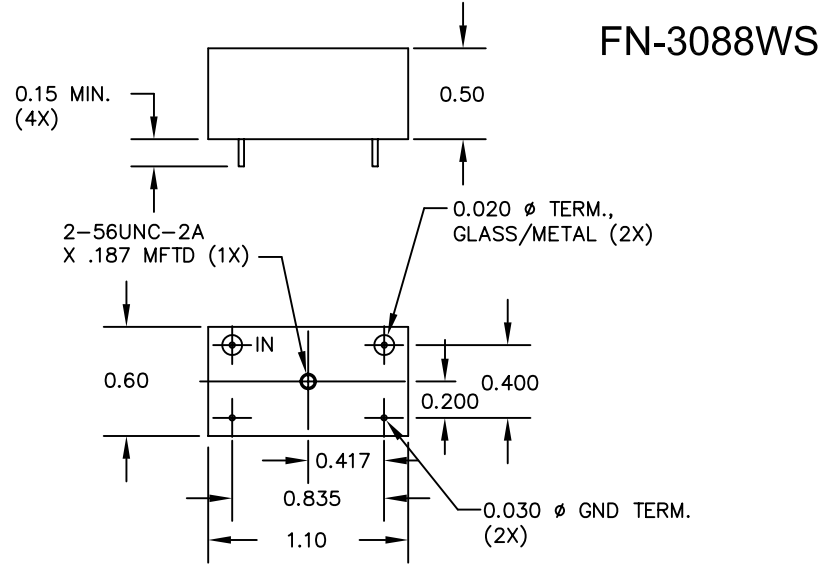
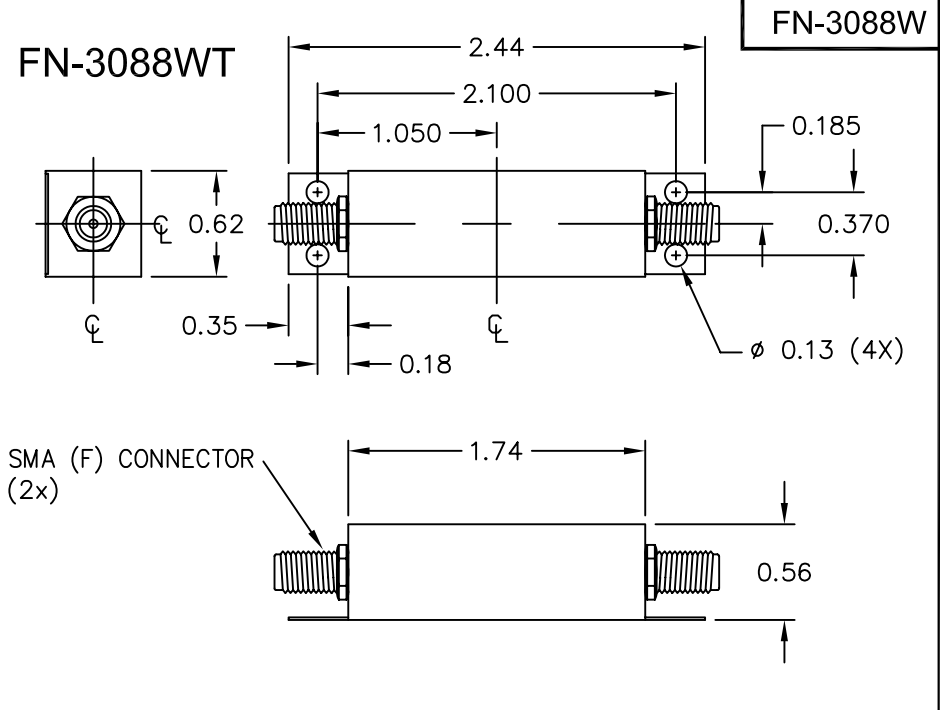
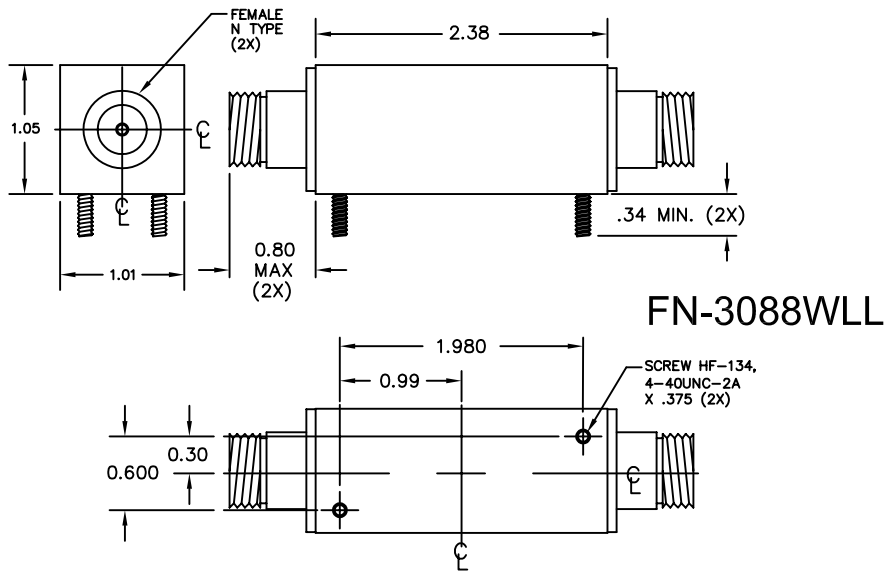
FN-3088W DRAWING SUMMARY SHEET 1 of 2

FILTRONETICS, INC.
 6010 PARRETTA DR.
 KANSAS CITY, MO 64120
 816-231-7375
 FAX 816-241-0368
 WWW.FILTRO.NET

TOLERANCES UNLESS NOTED

ANGLE = ± 1°	HOLES ± .002
.XX = ± .020	
.XXX = ± .010	

REVISED 05/29/12 ECO 4379



FN-3088W DRAWING SUMMARY SHEET 2 of 2

FILTRONETICS, INC.
 6010 PARRETTA DR.
 KANSAS CITY, MO 64120
 816-231-7375
 FAX 816-241-0368
 WWW.FILTRO.NET

TOLERANCES UNLESS NOTED	
ANGLE = ± 1°	HOLES ± .002
.XX = ± .020	
.XXX = ± .010	
REVISED 05/29/12 ECO 4379	