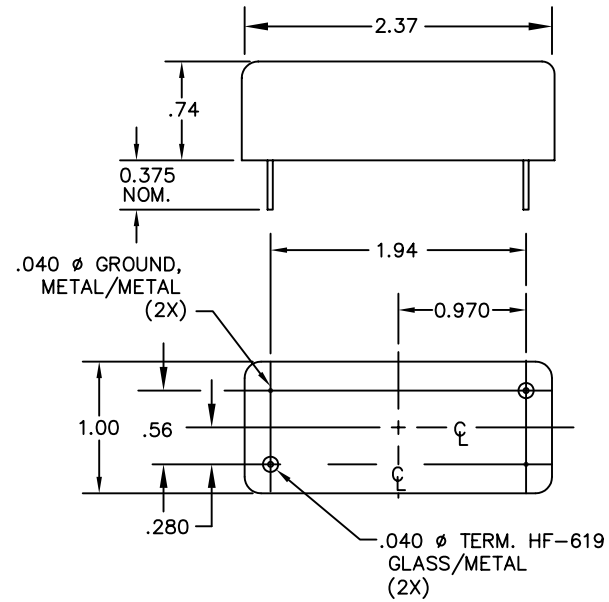
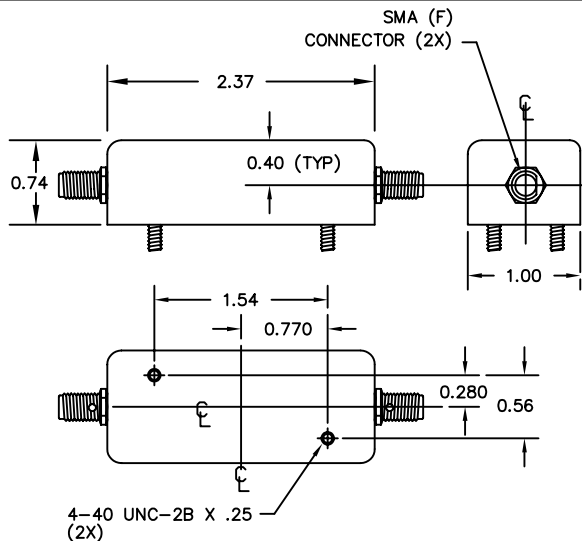


BANDPASS FILTER

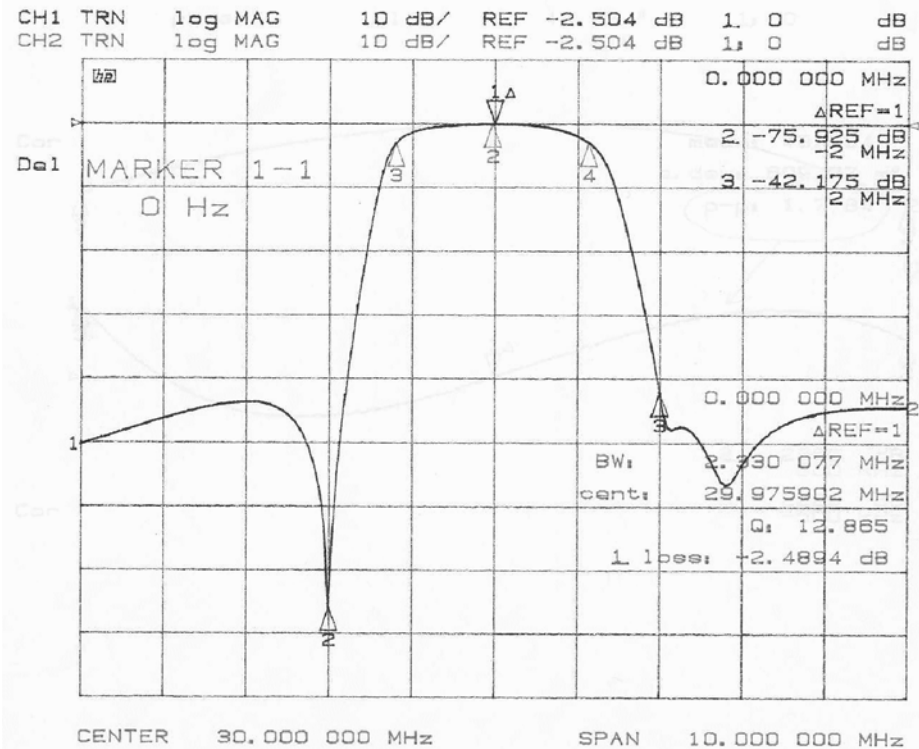
Fo: 30.0 MHz
IMPEDANCE : 50 OHM (IN/OUT)
INSERTION LOSS: 2.75 dB MAX ± 0.5 MHz
RIPPLE: 0.2 dB MAX ± 0.5 MHz
3dB BANDWIDTH: 2.0 MHz MIN
40dB BANDWIDTH: 20 MHz to 28 MHz, 32 to 40 MHz
PHASE LINEARITY: 3 Deg MAX ± 0.5 MHz
OPERATING TEMPERATURE : ROOM or ADVISE



FN-2919WA



FN-2919W



FN-2919W DRAWING SUMMARY

FILTRONETICS, INC.
 6010 PARRETTA DR.
 KANSAS CITY, MO 64120
 816-231-7375
 FAX 816-241-0368
 WWW.FILTRO.NET

TOLERANCES UNLESS NOTED

ANGLE = ± 1°	HOLES
.XX = ± .020	± .002
.XXX = ± .010	

REVISED 3/14/12, ECO 4373