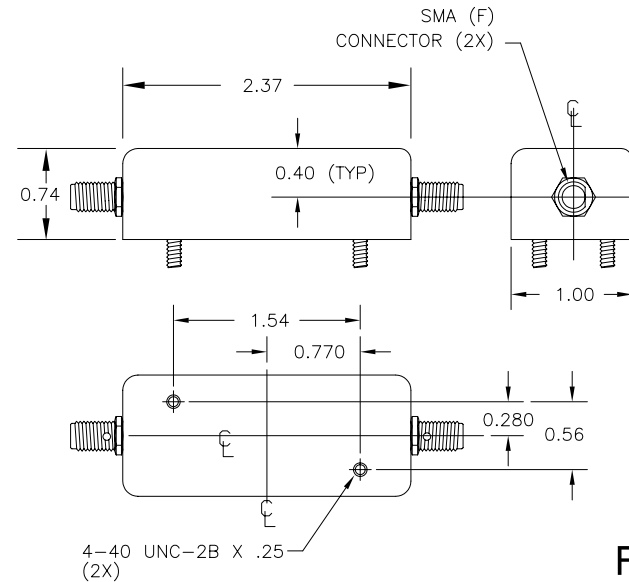


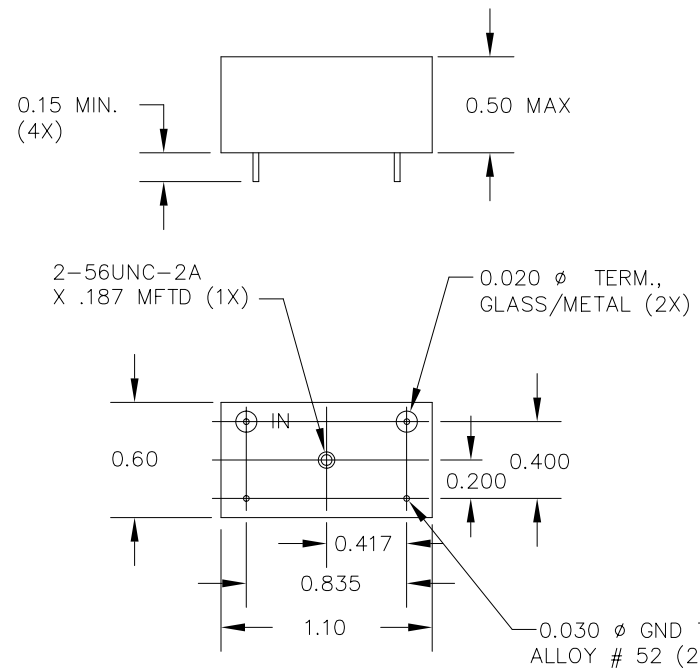
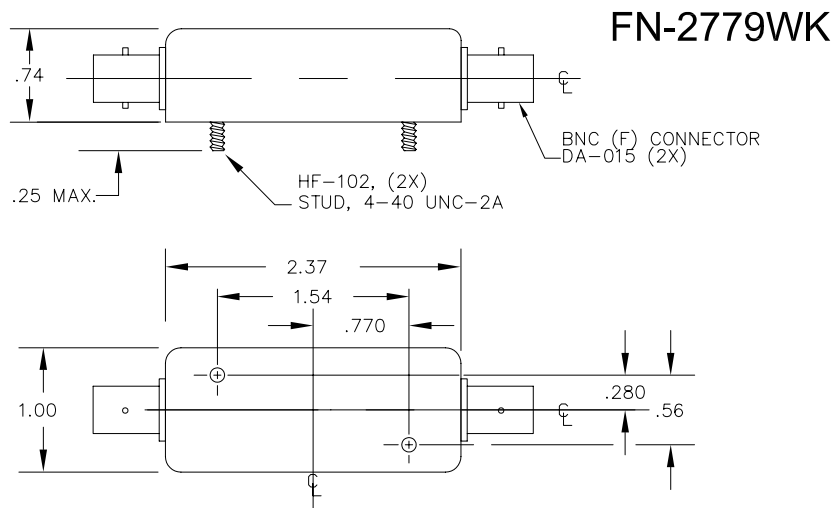
BANDPASS FILTER

Fo: 70.0 MHz
3dB BANDWIDTH: 28 KHz MINIMUM
40 dB BANDWIDTH: 74 KHz MAXIMUM
INSERTION LOSS: 4 dB MAX
IMPEDANCE: 50 OHMS (IN & OUT)
RIPPLE ±5 KHz: 0.5 dB MAXIMUM
RETURN LOSS @ Fo: 10 dB MIN
ULTIMATE ATTENUATION: 40 dB TO 100 MHz
GROUP DELAY VARIATION: 2 uSEC MAXIMUM ±5 KHz
GROUP DELAY VARIATION: 6 uSEC MAXIMUM ±8 KHz
OPERATING TEMPERATURE: -40°C TO +85°C

FN-2779W



FN-2779WF



FN-2779W DRAWING SUMMARY

FILTRONETICS, INC.
 6010 PARRETTA DR.
 KANSAS CITY, MO 64120
 816-231-7375
 FAX 816-241-0368
 WWW.FILTRO.NET

TOLERANCES UNLESS NOTED

ANGLE = ± 1°	HOLES ± .002
.XX = ± .020	
.XXX = ± .010	

REVISED 10/22/03

FN-2779W