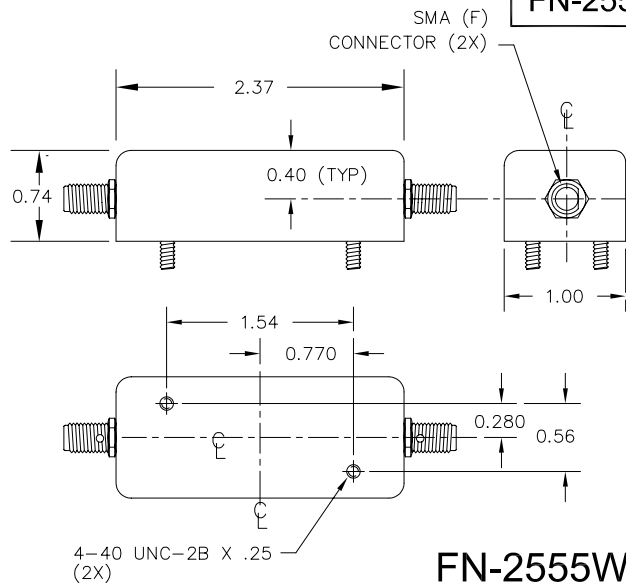


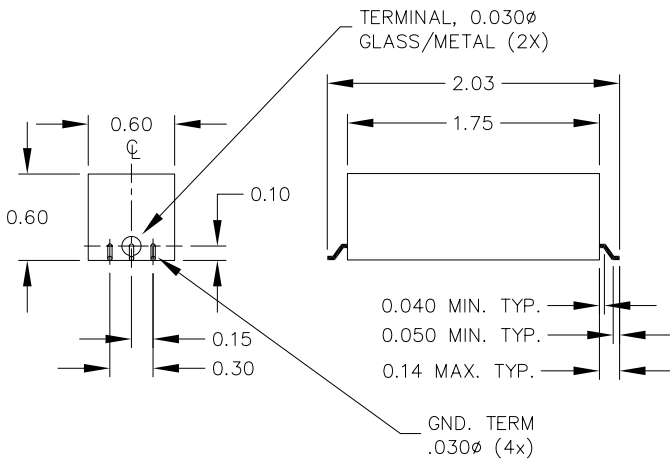
BANDPASS FILTER

Fo: 256.5 MHz
IMPEDANCE : 50 OHMS (IN & OUT)
INSERTION LOSS: 4.0 dB MAX
RIPPLE: 0.5 dB MAX
3dB BANDWIDTH: 22 MHz MIN
50dB BANDWIDTH: +60
 -42 MHz MAX
OPERATING TEMPERATURE : -40°C to +85°C

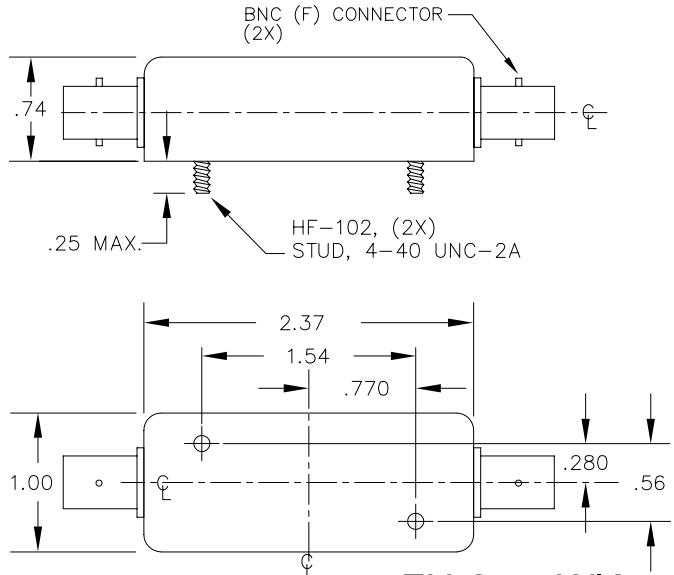
FN-2555W



FN-2555WF

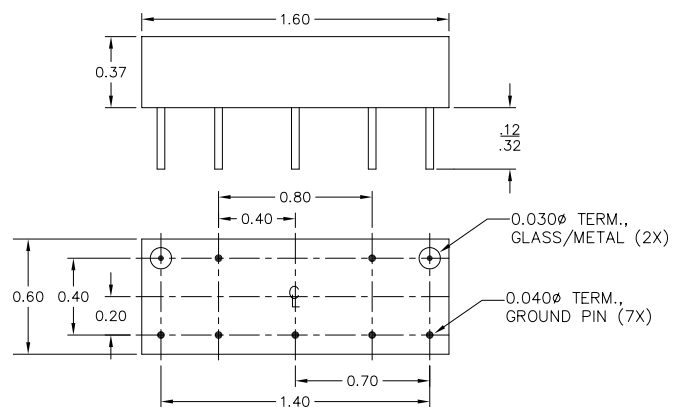


FN-2555WII



FN-2555WK

FN-2555W



FN-2555W DRAWING SUMMARY

FILTRONETICS, INC.
 6010 PARRETTA DR.
 KANSAS CITY, MO 64120
 816-231-7375
 FAX 816-241-0368
 WWW.FILTRO.NET

TOLERANCES UNLESS NOTED

.XX = ± .020	ANGLE = ± 1°
.XXX = ± .010	HOLES = ± .002

REVISED 10/13/03