

## BANDPASS FILTER

- Fo: 70.0 MHz
- 3dB BANDWIDTH: ±50 KHz MINIMUM
- 50 dB BANDWIDTH: ±200 KHz MAXIMUM
- INSERTION LOSS: 8 dB MAXIMUM (6dB TYPICAL)
- IMPEDANCE: 50 OHMS (IN & OUT)
- SPURIOUS ATTENUATION: 50 dB MINIMUM
- ULTIMATE ATTENUATION: 70dB TO ±70 MHz
- OPERATING TEMPERATURE: -40°C TO +70°C

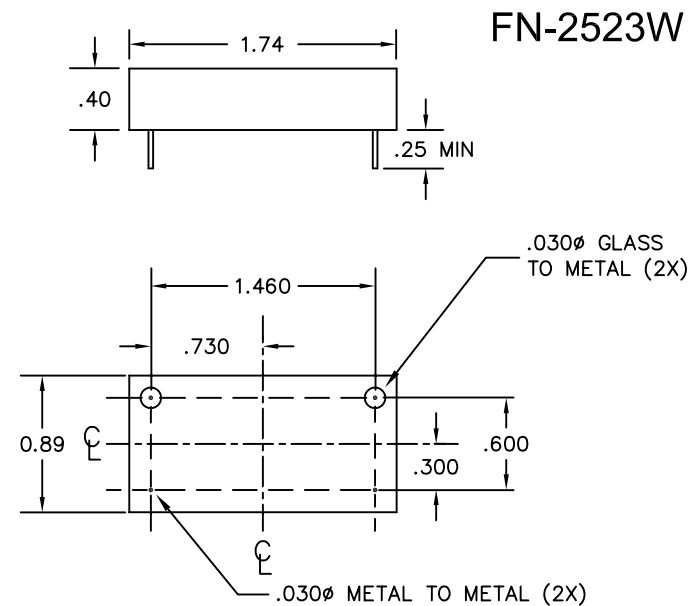
### FN-2523W DRAWING SUMMARY SHEET 1 of 3

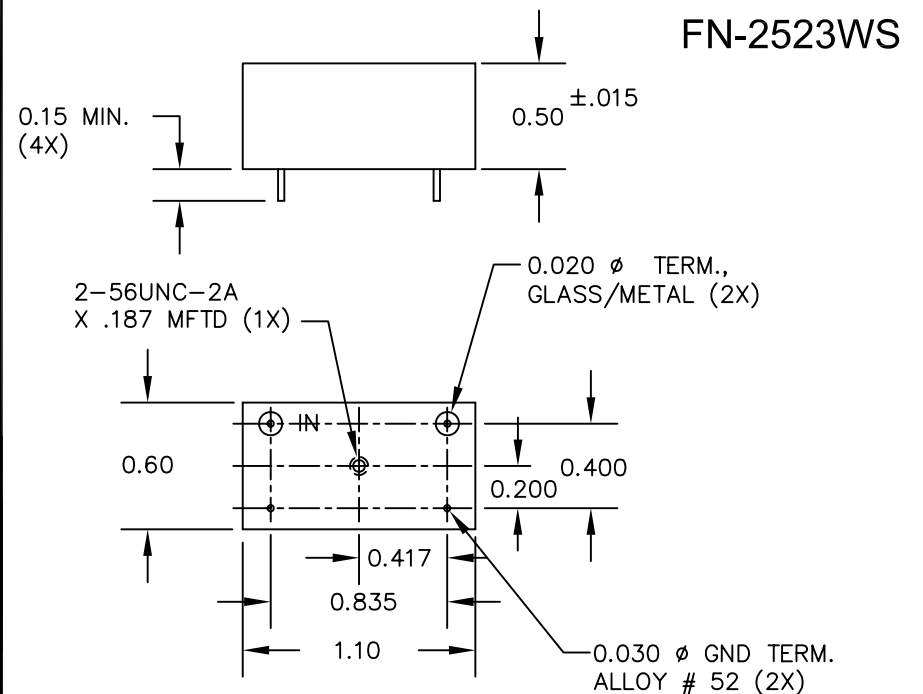
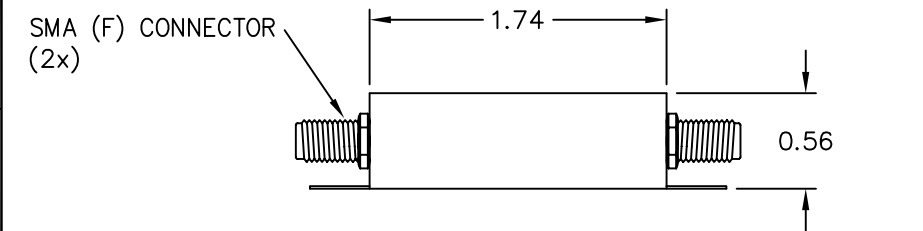
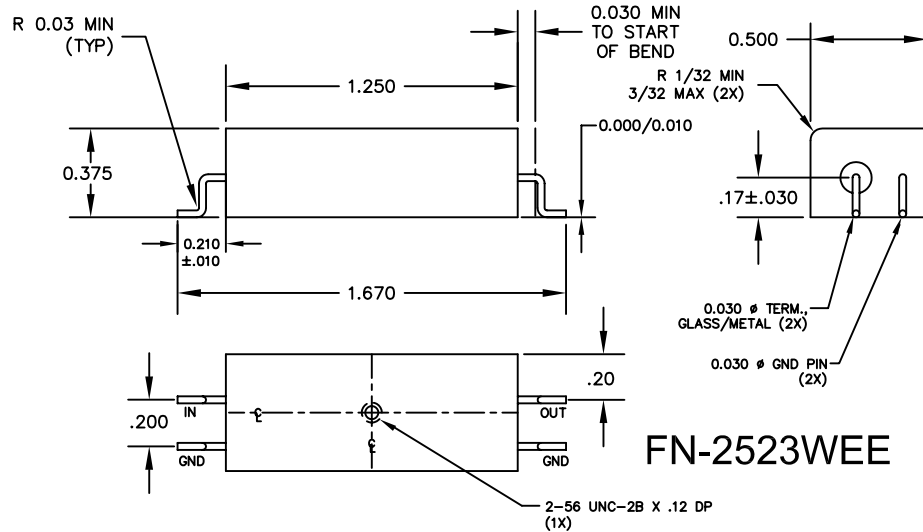
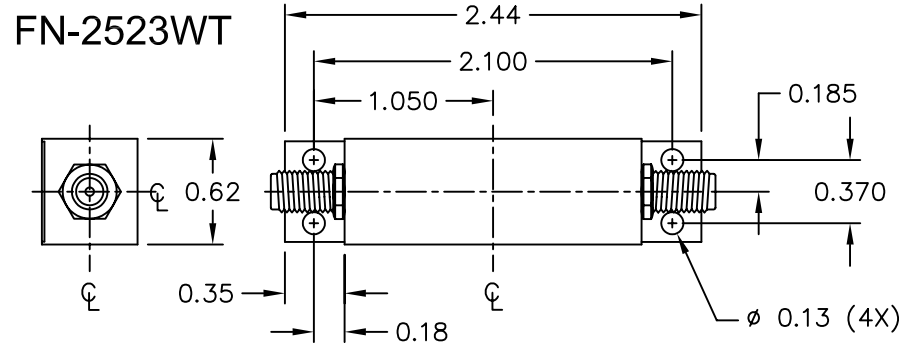
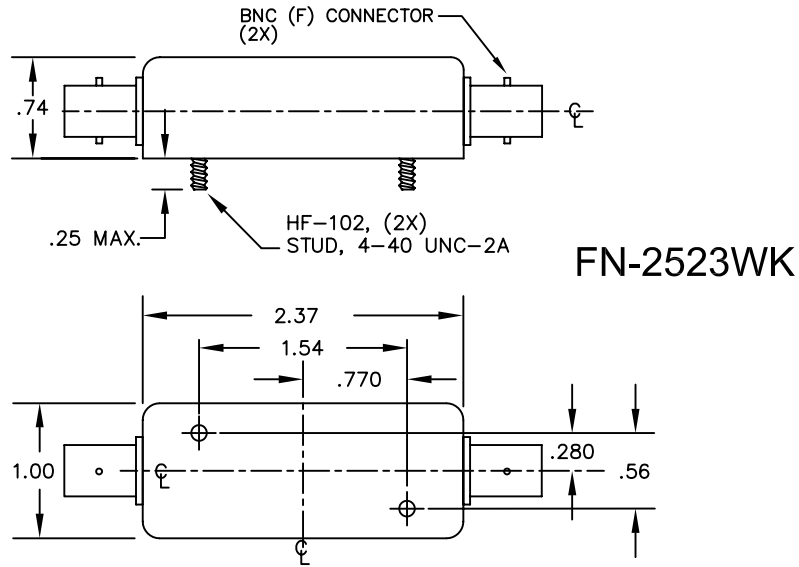
**FILTRONETICS, INC.**  
 6010 PARRETTA DR.  
 KANSAS CITY, MO 64120  
 816-231-7375  
 FAX 816-241-0368  
 WWW.FILTRO.NET

TOLERANCES UNLESS NOTED

ANGLE = ± 1°	HOLES
.XX = ± .020	± .002
.XXX = ± .010	

REVISED 10/21/2013





FN-2523W DRAWING SUMMARY SHEET 2 of 3

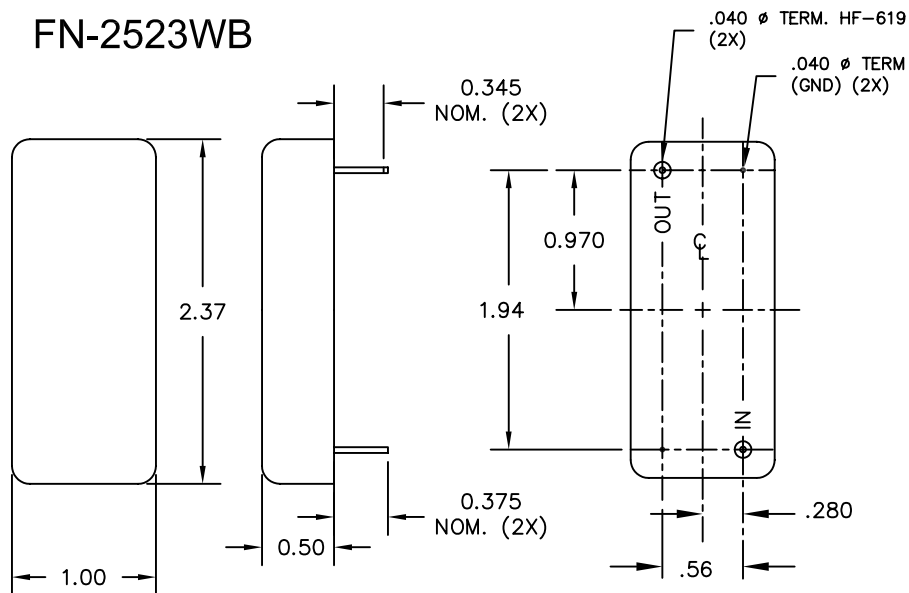
**FILTRONETICS, INC.**  
 6010 PARRETTA DR.  
 KANSAS CITY, MO 64120  
 816-231-7375  
 FAX 816-241-0368  
 WWW.FILTRO.NET

TOLERANCES UNLESS NOTED

ANGLE = $\pm 1^\circ$	HOLES
.XX = $\pm .020$	$\pm .002$
.XXX = $\pm .010$	

REVISED 10/21/2013

# FN-2523WB



## FN-2523W DRAWING SUMMARY SHEET 3 of 3

**FILTRONETICS, INC.**  
 6010 PARRETTA DR.  
 KANSAS CITY, MO 64120  
 816-231-7375  
 FAX 816-241-0368  
 WWW.FILTRO.NET

TOLERANCES UNLESS NOTED

ANGLE = ± 1°	HOLES
.XX = ± .020	± .002
.XXX = ± .010	

REVISED 10/21/2013