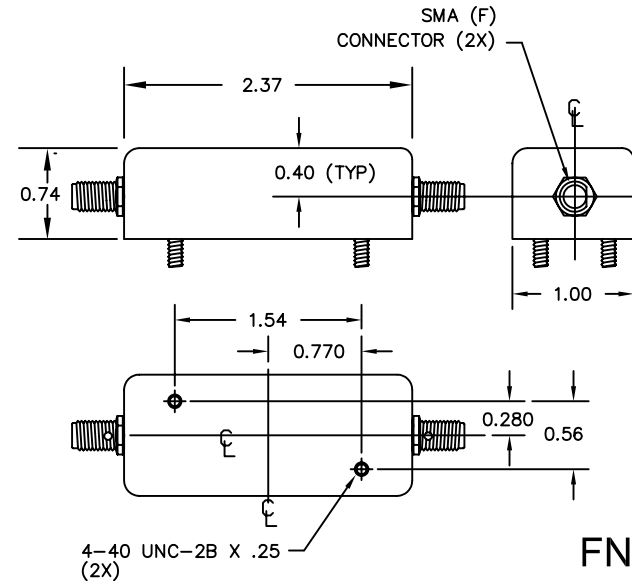


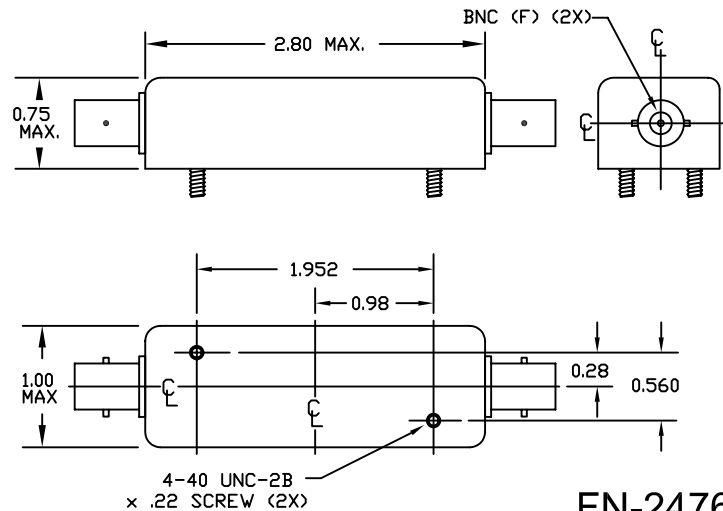
BANDSTOP FILTER

Fo: 150.0 MHz
IMPEDANCE : 50 OHMS (IN & OUT)
INSERTION LOSS: 3.0 dB MAX
RIPPLE: 1.5 dB MAX
2dB BANDWIDTH: ±20 MHz MIN
3dB BANDWIDTH: 120 KHz MAX
60dB BANDWIDTH: 15 KHz MIN
80dB BANDWIDTH: 6 KHz MIN
OPERATING TEMPERATURE : 0°C to +50°C

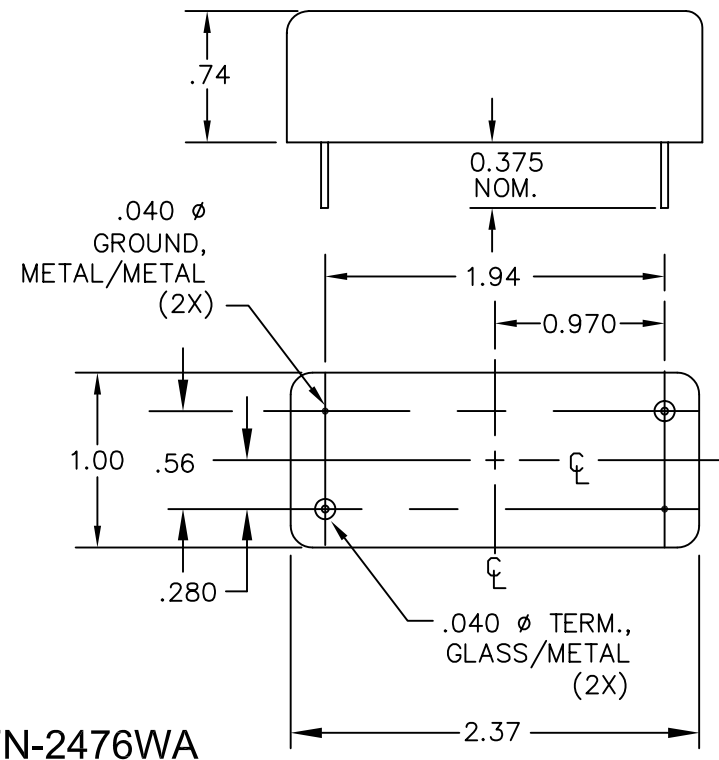
FN-2476W



FN-2476WF



FN-2476WJJ



FN-2476WA

FN-2476W DRAWING SUMMARY

FILTRONETICS, INC.
 6010 PARRETTA DR.
 KANSAS CITY, MO 64120
 816-231-7375
 FAX 816-241-0368
 WWW.FILTRO.NET

TOLERANCES UNLESS NOTED

ANGLE = ± 1°	HOLES
.XX = ± .020	± .002
.XXX = ± .010	

REVISED 10/20/03