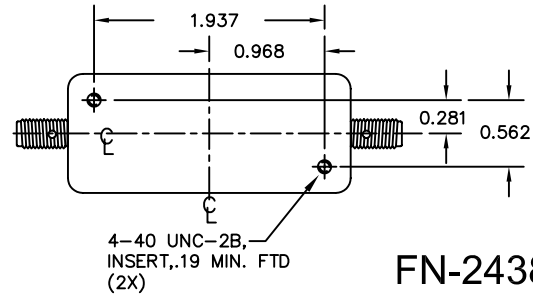
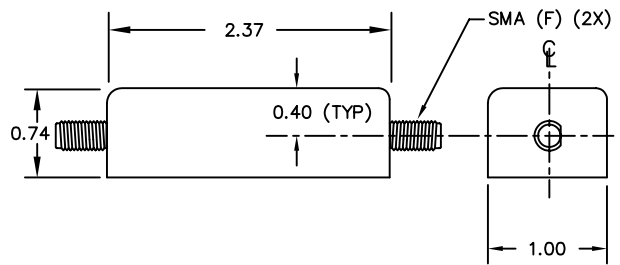
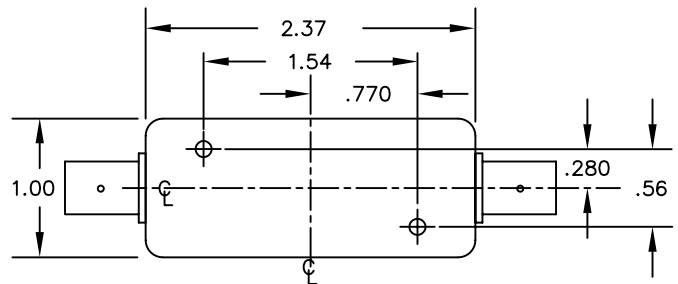
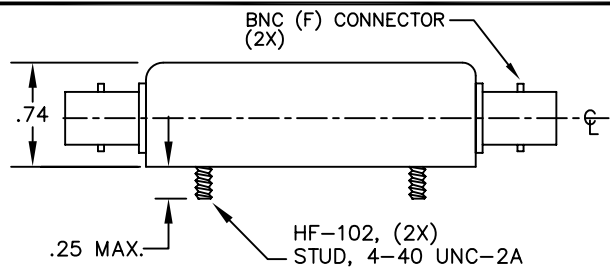
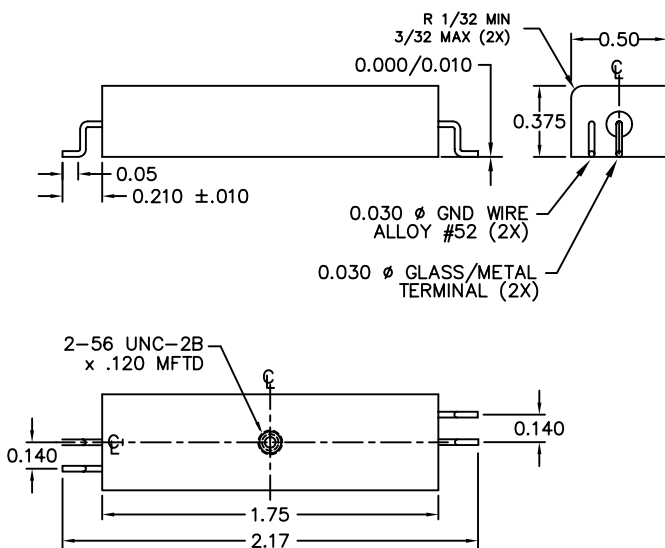


# BANDPASS FILTER

**Fo:** 70.0 MHz  
**IMPEDANCE :** 50 OHMS (IN & OUT)  
**INSERTION LOSS:** 6.5 dB MAX  
**RIPPLE:** 0.5 dB MAX  
**3dB BANDWIDTH:** ± 175 KHz MIN  
**20dB BANDWIDTH:** ± 500 KHz MAX  
**60dB BANDWIDTH:** 2.5 MHz MAX  
**ULTIMATE ATTENUATION:** 60dB to 150MHz  
**OPERATING TEMPERATURE :** -30°C to +70°C



**FN-2438WJ**



**FN-2438WK**

## FN-2438W DRAWING SUMMARY

**FILTRONETICS, INC.**  
 6010 PARRETTA DR.  
 KANSAS CITY, MO 64120  
 816-231-7375  
 FAX 816-241-0368  
 WWW.FILTRO.NET

TOLERANCES UNLESS NOTED

.XX = ± .020  
.XXX = ± .010

ANGLE = ± 1°  
HOLES = ± .002

REVISED 07/30/2012 ECO 4404

