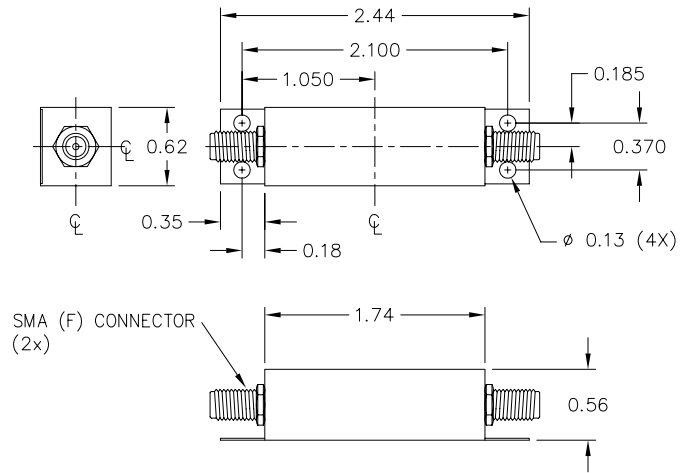


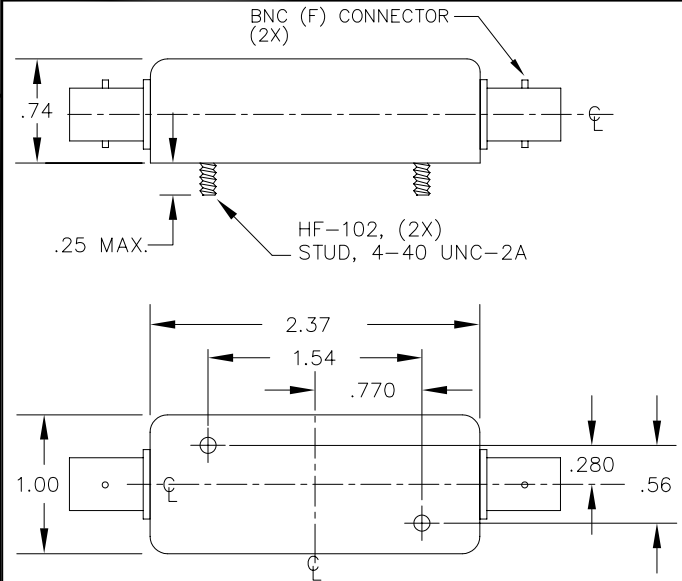
BANDPASS FILTER

Fo: 1.75 MHz
3dB BANDWIDTH: 125 KHz MIN
50 dB BANDWIDTH: 600 KHz MAX
INSERTION LOSS: 3.5 dB MAX
IMPEDANCE: 50 OHMS (IN & OUT)
RIPPLE: 0.1 dB MAX
OPERATING TEMPERATURE: -55°C to +95°C

FN-2400W

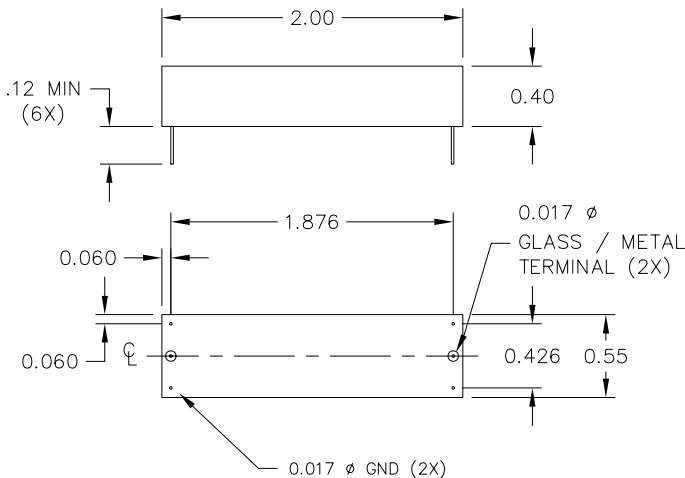


FN-2400WT



FN-2400WK

FN-2400W



FN-2400W DRAWING SUMMARY

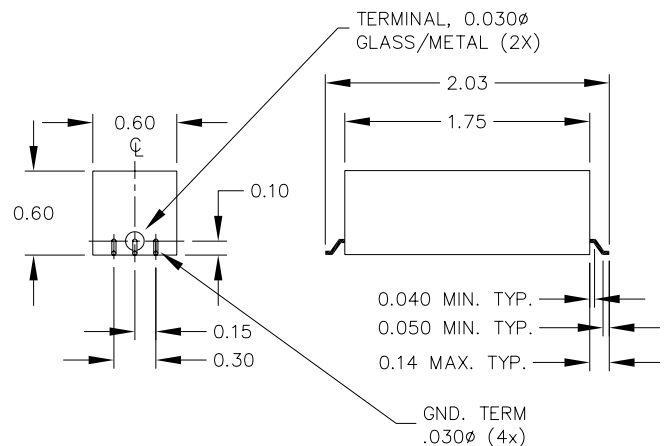
FILTRONETICS, INC.
 6010 PARRETTA DR.
 KANSAS CITY, MO 64120
 816-231-7375
 FAX 816-241-0368
 WWW.FILTRO.NET

TOLERANCES UNLESS NOTED

.XX = ± .020
.XXX = ± .010

ANGLE = ± 1°
HOLES = ± .002

REVISED 10/20/03



FN-2400WII