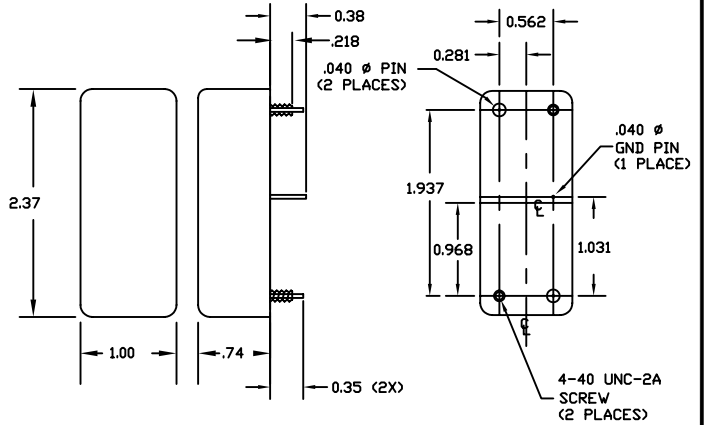


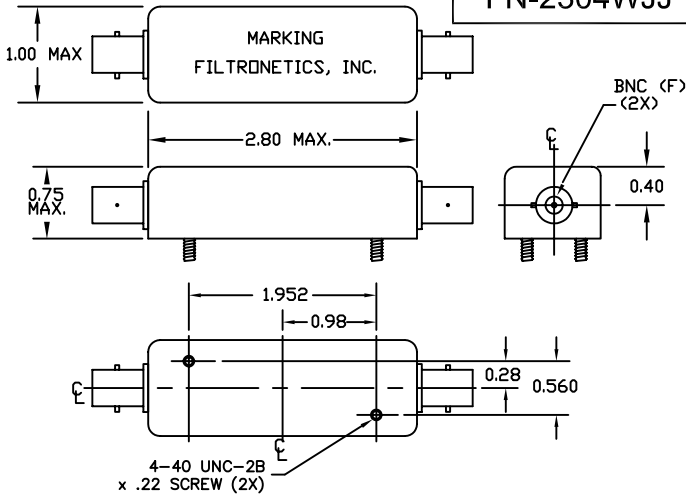
**BANDPASS FILTER**

Fo: 10.0 MHz  
 3dB BANDWIDTH: 300 Hz MINIMUM  
 480 Hz NOMINAL  
 40 dB BANDWIDTH: 1860 Hz MAXIMUM  
 60 dB BANDWIDTH: 2500 Hz MAXIMUM  
 INSERTION LOSS: 5.5 dB MAX  
 IMPEDANCE: 50 OHMS (IN & OUT)  
 OPERATING TEMPERATURE: +15°C to +35°C

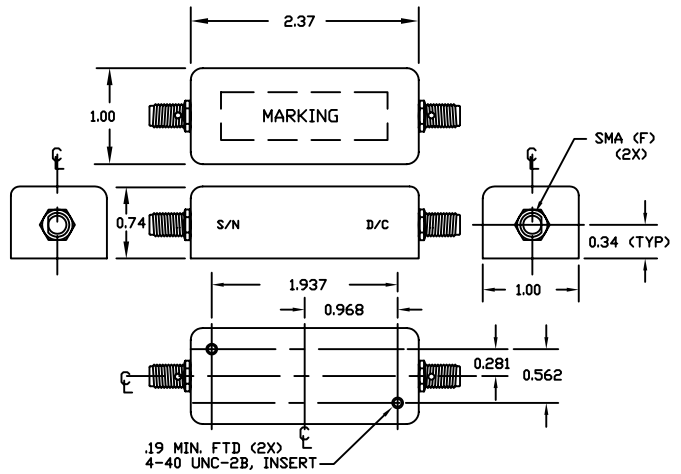
**FN-2304WD**



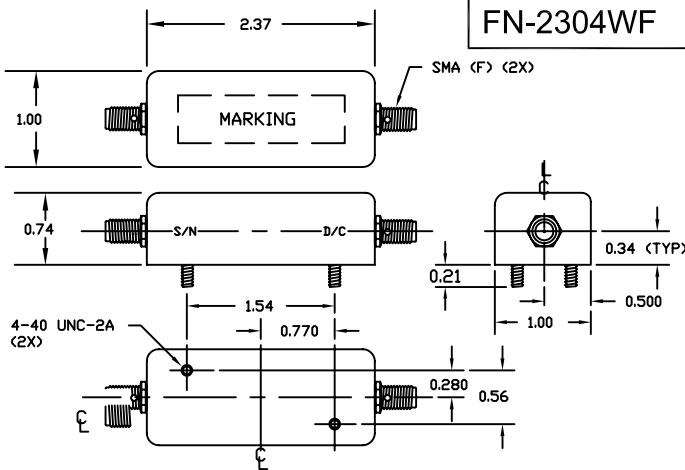
**FN-2304WJJ**



**FN-2304WJ**

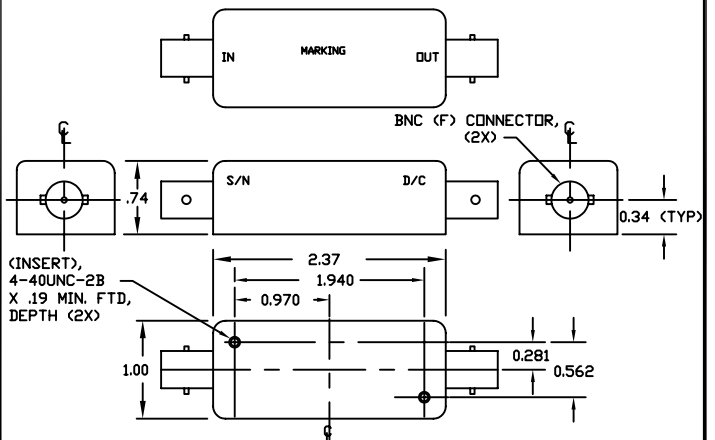


**FN-2304WF**



**FN-2304WK-4**

NOTE:  
SHIP WITH (2) 4-40 SCREWS  
AND LOCKWASHERS.



**FN-2304W SHEET 1 OF 2**

**FILTRONETICS, INC.**  
 6010 PARRETTA DR.  
 KANSAS CITY, MO 64120  
 816-231-7375  
 FAX 816-241-0368  
 WWW.FILTRO.NET

TOLERANCES UNLESS NOTED

.XX =  $\pm$  .020  
 .XXX =  $\pm$  .010

ANGLE =  $\pm$  1°  
 HOLES =  $\pm$  .002

REVISED 01/07/2014 PER ECO 4521

