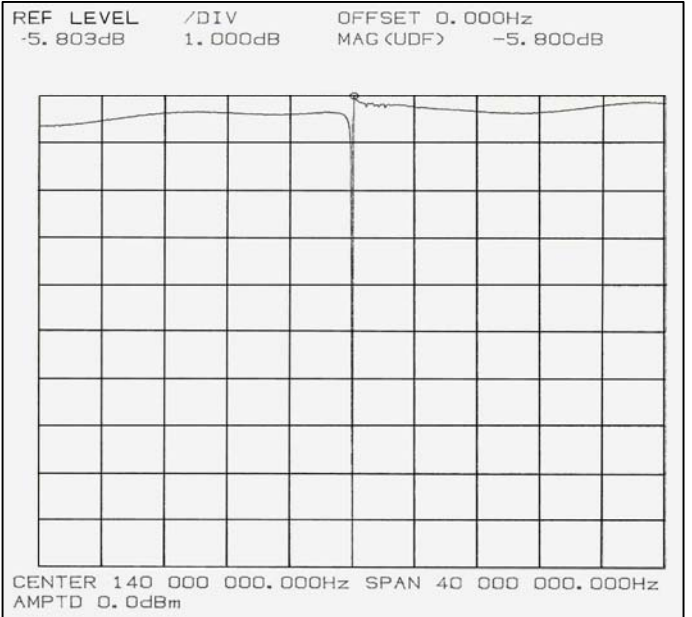
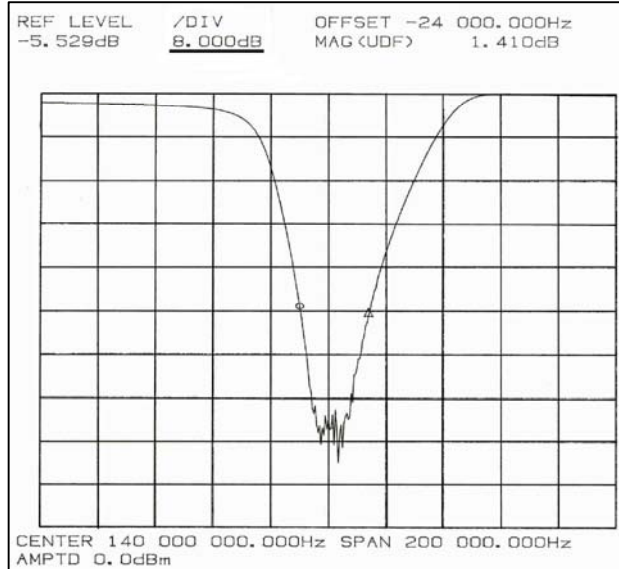
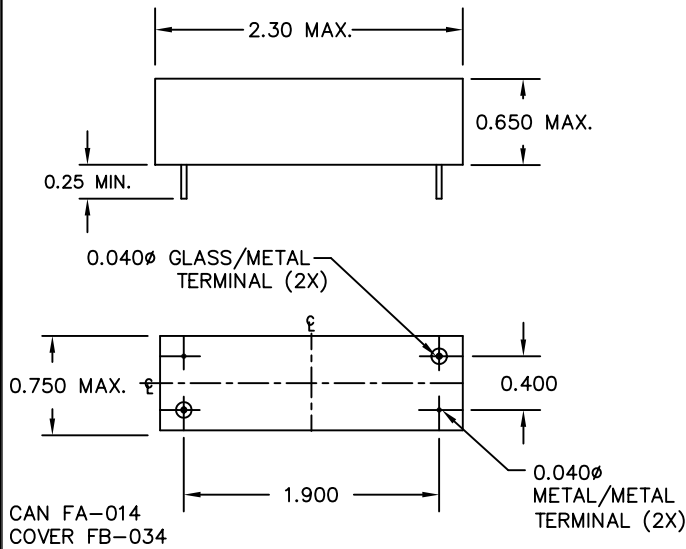


BAND STOP FILTER

Fo: 140.0 MHz
IMPEDANCE : 50 OHMS (IN & OUT)
INSERTION LOSS: 7 dB MAX
1 dB PASSBAND: ±20 MHz MIN
3dB BANDWIDTH: 60 KHz NOMINAL
40dB BANDWIDTH: 25 KHz MIN
50dB BANDWIDTH: 10 KHz MIN
OPERATING TEMPERATURE : -20°C to +70°C



FN-2257W



FN-2257W DRAWING SUMMARY

FILTRONETICS, INC.
 6010 PARRETTA DR.
 KANSAS CITY, MO 64120
 816-231-7375
 FAX 816-241-0368
 WWW.FILTRO.NET

TOLERANCES UNLESS NOTED

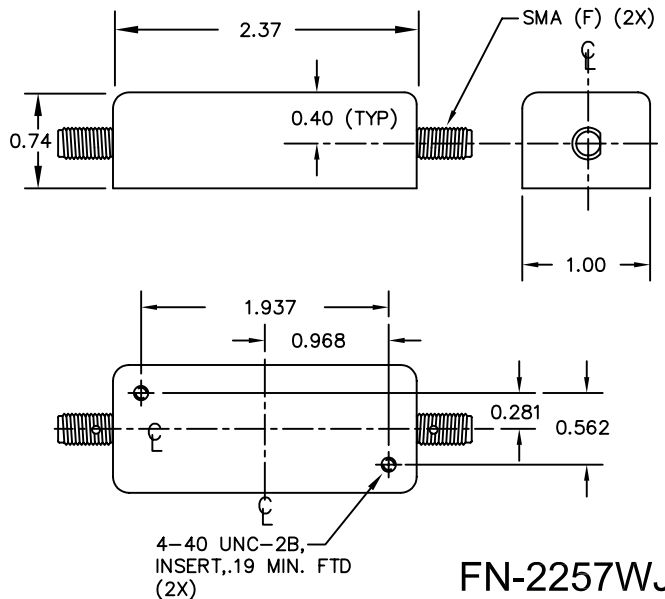
.XX = ± .020

.XXX = ± .010

ANGLE = ± 1°

HOLES = ± .002

REVISED 02/13/2013



FILTRONETICS, INC. PROVIDES CUSTOM FILTERS, PLEASE CONTACT FACTORY.
 DRAWING SUBJECT TO CHANGE WITHOUT NOTICE.