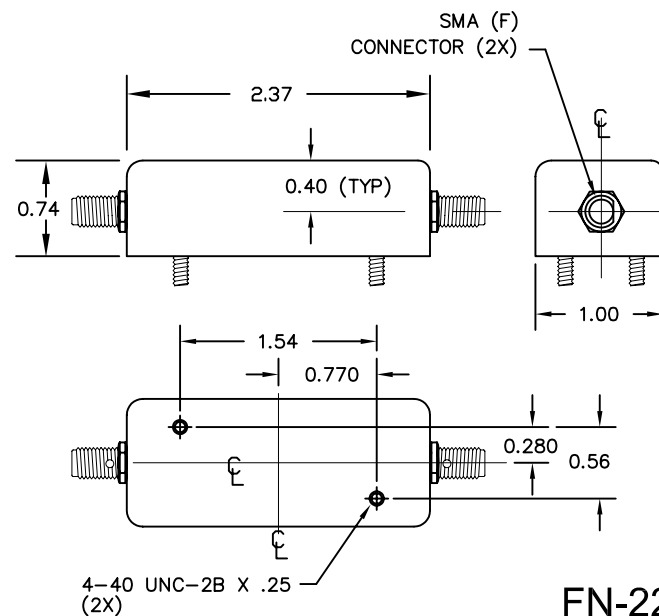
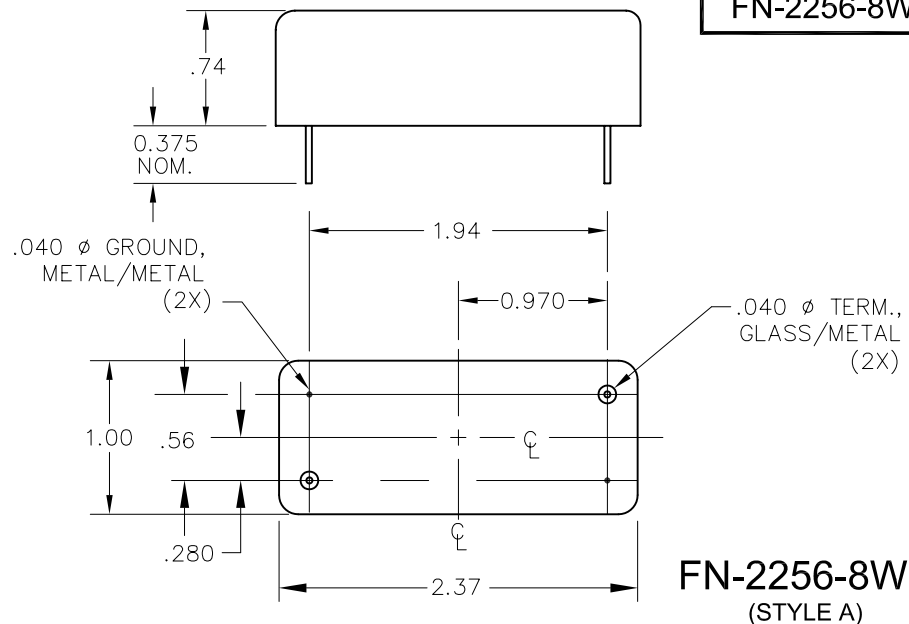


# BANDPASS FILTER

**Fo:** 10.7 MHz  
**IMPEDANCE :** 50 ohms IN/OUT  
**INSERTION LOSS:** 7.0 dB MAX  
**RIPPLE:** 2.0 dB MAX  
**3dB BANDWIDTH:** 100 KHz MIN  
**40dB BANDWIDTH:** 260 KHz MAX  
**SPURIOUS ATTENUATION:** 38 dB MIN  
**ULTIMATE ATTENUATION :** 60 dB MIN  
**OPERATING TEMPERATURE :** -30°C to +70°C



## FN-2256-8W DRAWING SUMMARY

**FILTRONETICS, INC.**  
 6010 PARRETTA DR.  
 KANSAS CITY, MO 64120  
 816-231-7375  
 FAX 816-241-0368  
 WWW.FILTRO.NET

TOLERANCES UNLESS NOTED

ANGLE = ± 1°	HOLES ± .002
.XX = ± .020	
.XXX = ± .010	

REVISED 6/14/07