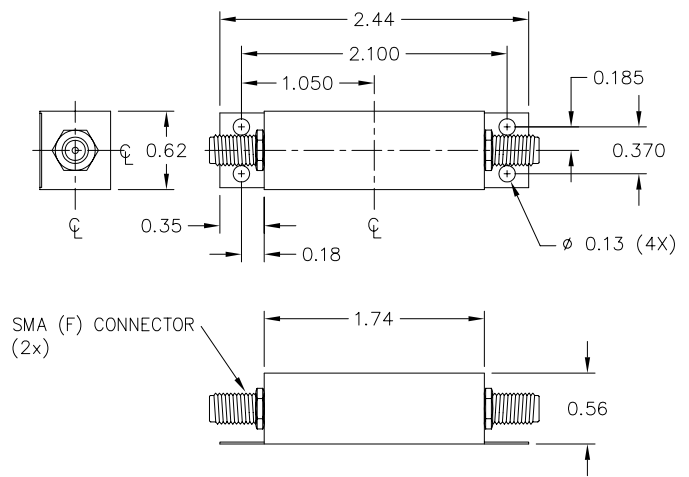


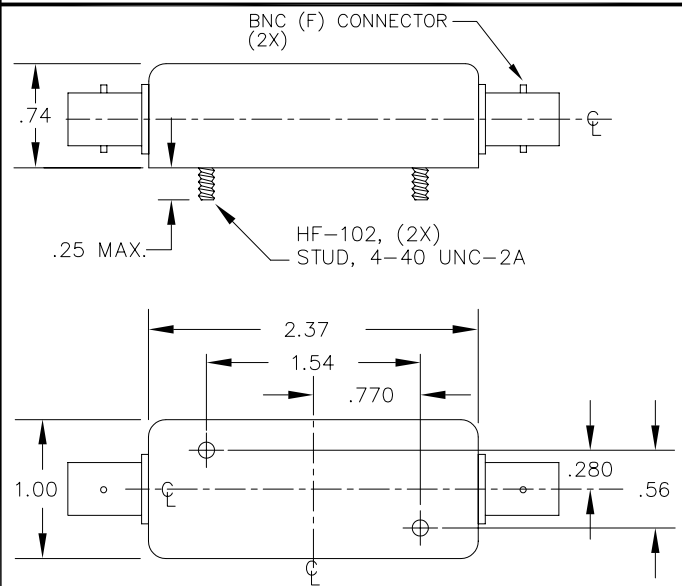
LOWPASS FILTER

1 dB CUTOFF: 500.0 MHz
 IMPEDANCE : 50 OHM (IN/OUT)
 INSERTION LOSS: 1.0 dB MAX
 RIPPLE: 0.2 dB MAX
 30 dB STOPBAND: 670 MHz
 OPERATING TEMPERATURE : -20°C to +70°C

FN-2198W

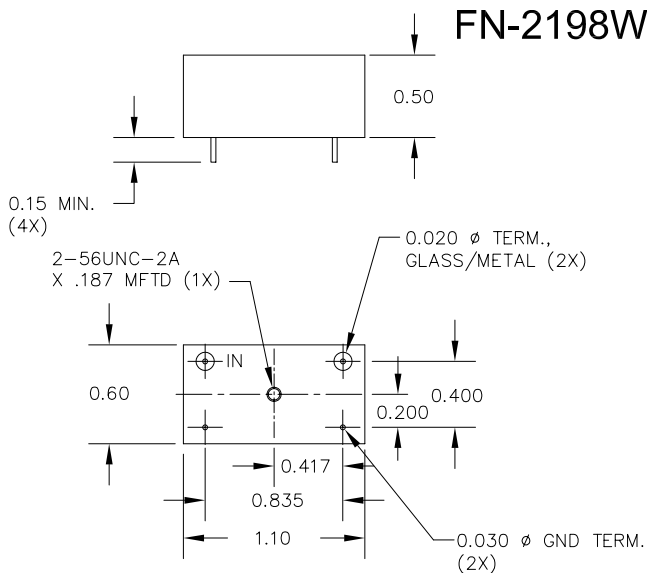


FN-2198WT



FN-2198WK

FN-2198WS



FN-2198W DRAWING SUMMARY

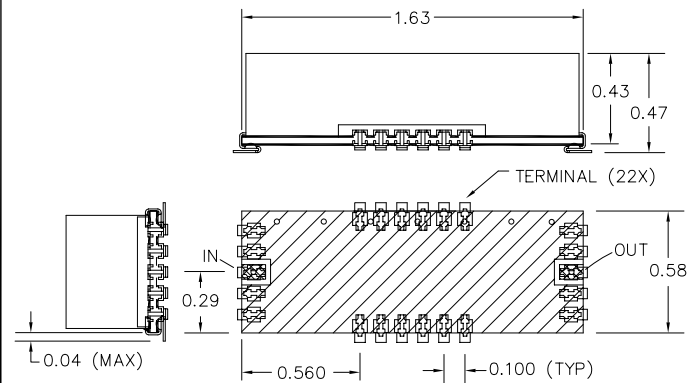
FILTRONETICS, INC.
 6010 PARRETTA DR.
 KANSAS CITY, MO 64120
 816-231-7375
 FAX 816-241-0368
 WWW.FILTRO.NET

TOLERANCES UNLESS NOTED

.XX = ± .020
 .XXX = ± .010

ANGLE = ± 1°
 HOLES = ± .002

REVISED 11/3/03



FN-2198W