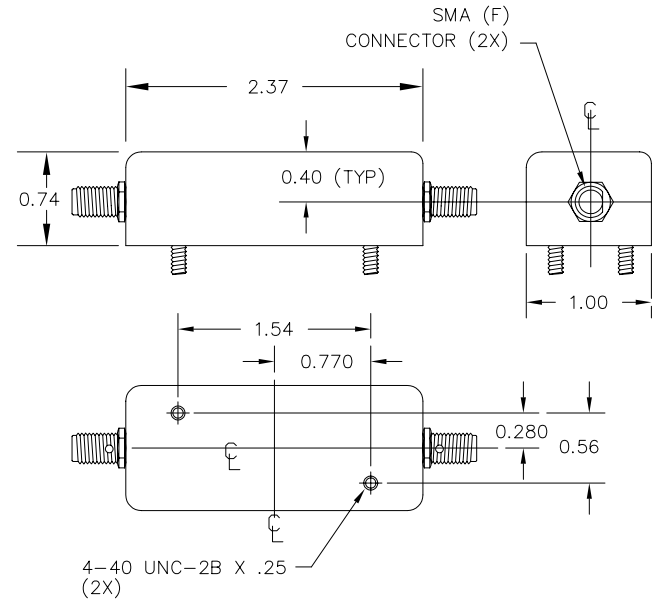


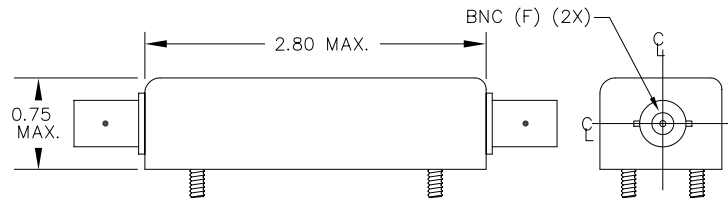
# BANDPASS FILTER

**Fo:** 109.0 MHz  
**IMPEDANCE :** 75 OHMS (IN & OUT)  
**INSERTION LOSS:** 4.0 dB MAX  
**RIPPLE:** 0.1 dB MAX  
**.5dB BANDWIDTH:** 2 MHz MIN  
**60dB BANDWIDTH:** ±44 MHz  
**80dB BANDWIDTH:** ±88 MHz MAX  
**OPERATING TEMPERATURE :** 0°C to +70°C

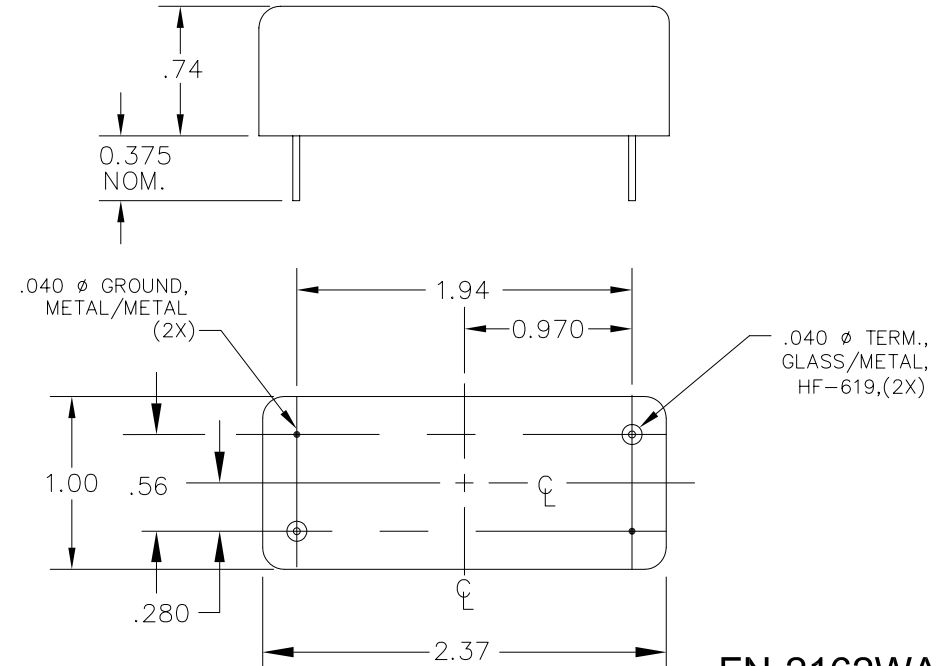
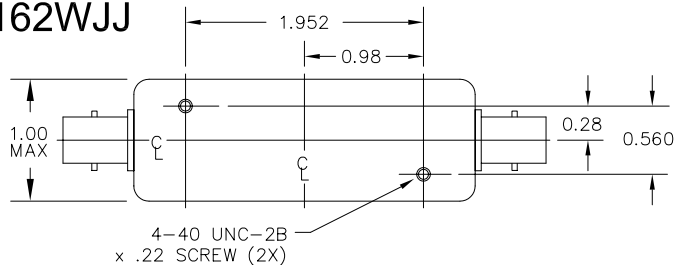
**FN-2162W**



**FN-2162W**  
(STYLE F)



**FN-2162WJJ**



**FN-2162WA**

## FN-2162W DRAWING SUMMARY

**FILTRONETICS, INC.**  
 6010 PARRETTA DR.  
 KANSAS CITY, MO 64120  
 816-231-7375  
 FAX 816-241-0368  
 WWW.FILTRO.NET

TOLERANCES UNLESS NOTED

ANGLE = ± 1°	HOLES
.XX = ± .020	± .002
.XXX = ± .010	

REVISED 11/3/03