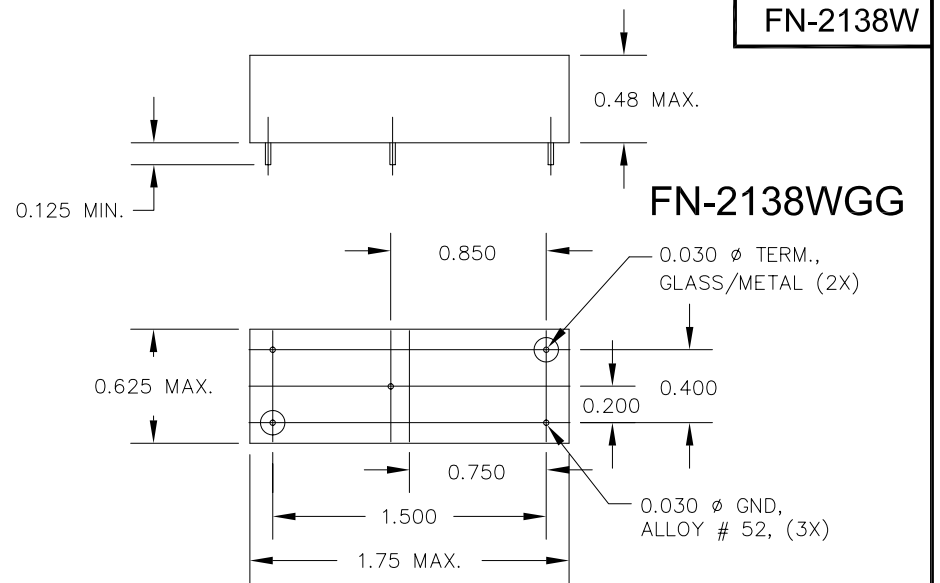


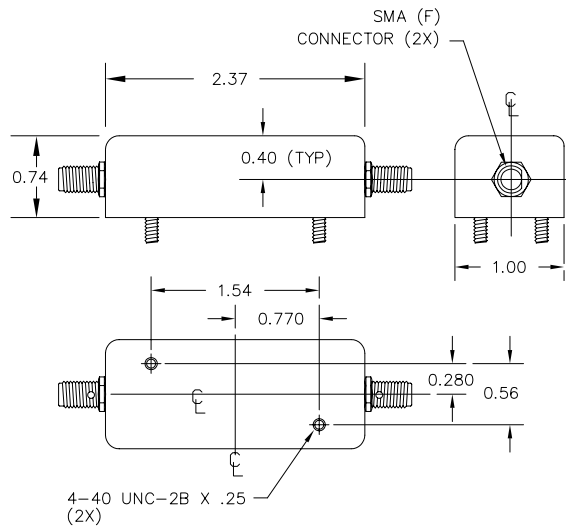
# BANDPASS FILTER

**Fo:** 21.4 MHz  
**IMPEDANCE :** 50 OHM (IN/OUT)  
**INSERTION LOSS:** 2.0 dB MAX  
**RIPPLE:** 0.5 dB MAX  
**3dB BANDWIDTH:** 5 MHz MIN  
**60dB BANDWIDTH:** 20 MHz MAX  
**GROUP DELAY VARIATION:** 100 nSEC MAX  
 (±2 MHz)  
**OPERATING TEMPERATURE :** 0°C to +71°C

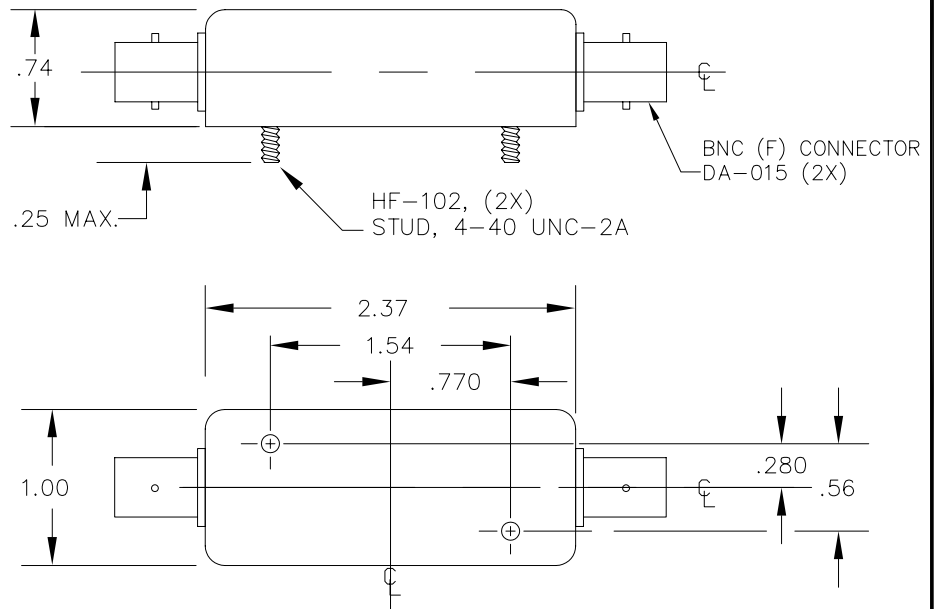
FN-2138W



FN-2138WF



FN-2138WK



## FN-2138W DRAWING SUMMARY

**FILTRONETICS, INC.**  
 6010 PARRETTA DR.  
 KANSAS CITY, MO 64120  
 816-231-7375  
 FAX 816-241-0368  
 WWW.FILTRO.NET

TOLERANCES UNLESS NOTED

ANGLE = ± 1°	HOLES
.XX = ± .020	± .002
.XXX = ± .010	

REVISED 12/4/03