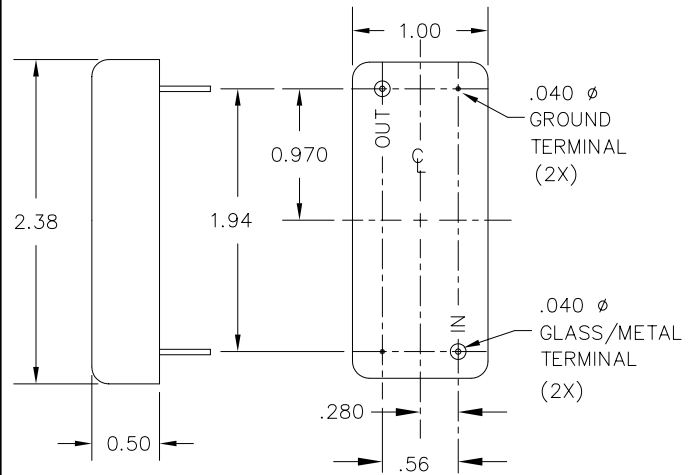


BANDPASS FILTER

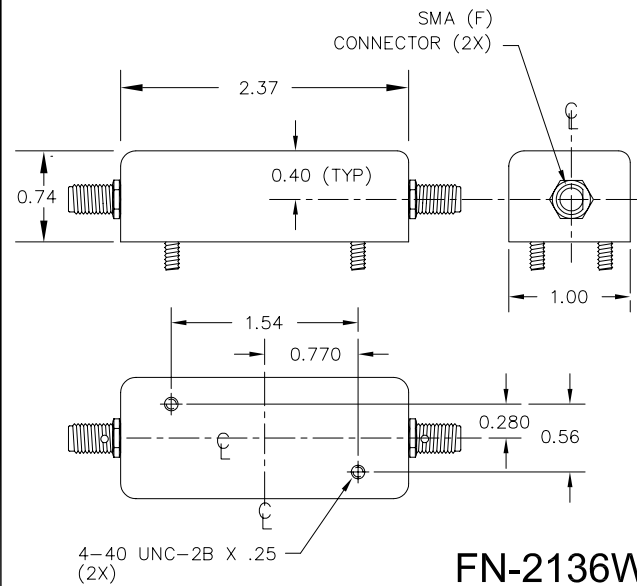
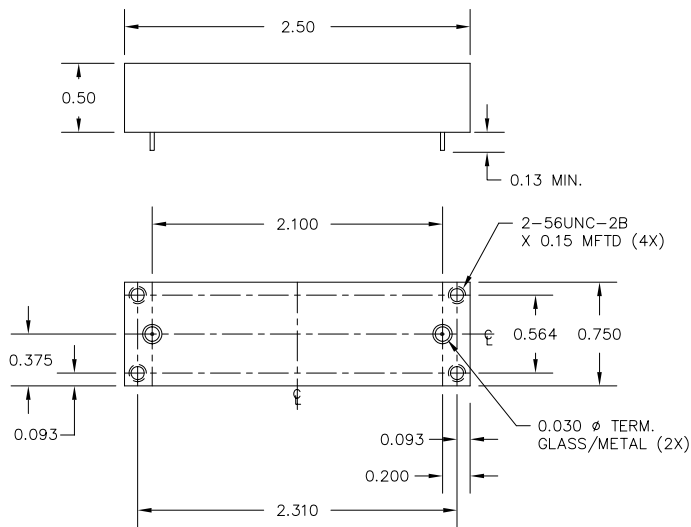
Fo: 160.0 MHz
IMPEDANCE : 50 OHM (IN/OUT)
INSERTION LOSS: 4.5 dB MAX
RIPPLE: 0.5 dB MAX
3dB BANDWIDTH: 10 MHz MIN
60dB BANDWIDTH: 32 MHz MAX
GROUP DELAY VARIATION: 75 nSEC MAX
 (±4 MHz)
OPERATING TEMPERATURE : 0°C to +71°C

FN-2136W



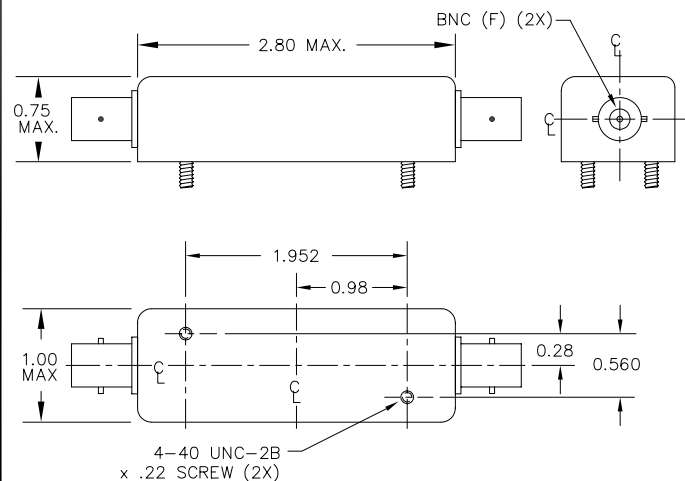
FN-2136WB

FN-2136W



FN-2136WF

FN-2136WJJ



FN-2136W DRAWING SUMMARY

FILTRONETICS, INC.
 6010 PARRETTA DR.
 KANSAS CITY, MO 64120
 816-231-7375
 FAX 816-241-0368
 WWW.FILTRO.NET

TOLERANCES UNLESS NOTED

.XX = ± .020
 .XXX = ± .010

ANGLE = ± 1°
 HOLES = ± .002

REVISED 12/5/03