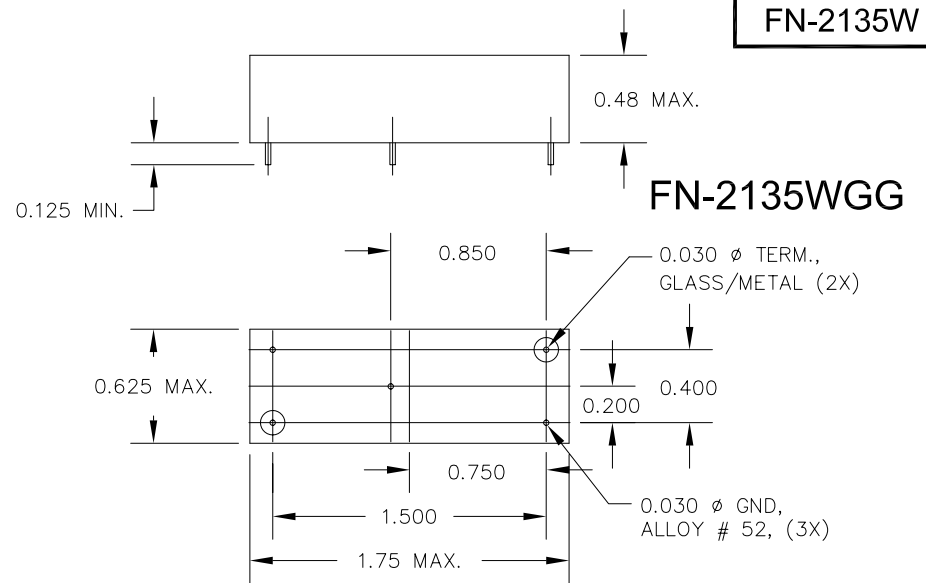


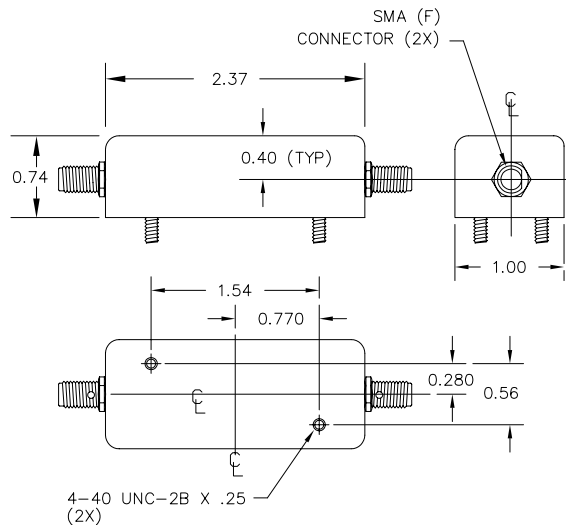
BANDPASS FILTER

Fo: 21.4 MHz
IMPEDANCE : 50 OHM (IN/OUT)
INSERTION LOSS: 9.0 dB MAX
RIPPLE: 0.1 dB MAX
3dB BANDWIDTH: 500 KHz MIN
60dB BANDWIDTH: 2.0 MHz MAX
GROUP DELAY VARIATION: 500 nSEC MAX
 (±200 KHz)
OPERATING TEMPERATURE : 0°C to +71°C

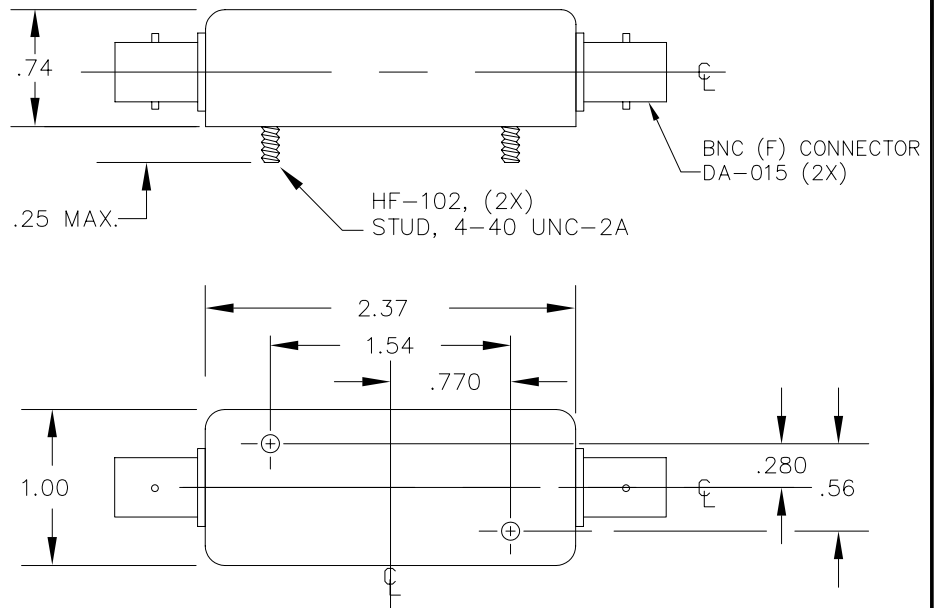
FN-2135W



FN-2135WF



FN-2135WK



FN-2135W DRAWING SUMMARY

FILTRONETICS, INC.
 6010 PARRETTA DR.
 KANSAS CITY, MO 64120
 816-231-7375
 FAX 816-241-0368
 WWW.FILTRO.NET

TOLERANCES UNLESS NOTED

ANGLE = $\pm 1^\circ$	HOLES
.XX = $\pm .020$	$\pm .002$
.XXX = $\pm .010$	

REVISED 12/4/03