

BANDPASS FILTER

Fo: 150 MHz
1dB BANDWIDTH: ± 80 KHz MINIMUM
3dB BANDWIDTH: 220 KHz MAXIMUM
50 dB BANDWIDTH: ± 600 KHz MAXIMUM
INSERTION LOSS: 7 dB MAX
IMPEDANCE: 50 OHMS (IN & OUT)
RIPPLE (1dB BW): 0.8 dB p-p
RETURN LOSS : 5 dB MIN @ ± 80 KHz
ULTIMATE ATTENUATION: 50 dB MINIMUM
 10 TO 149.4 MHz & 150.6 TO 590 MHz
PHASE LINEARITY: ± 10° MAXIMUM ±80 KHz
OPERATING TEMPERATURE: -24°C TO +71°C

FN-2068W DRAWING SUMMARY

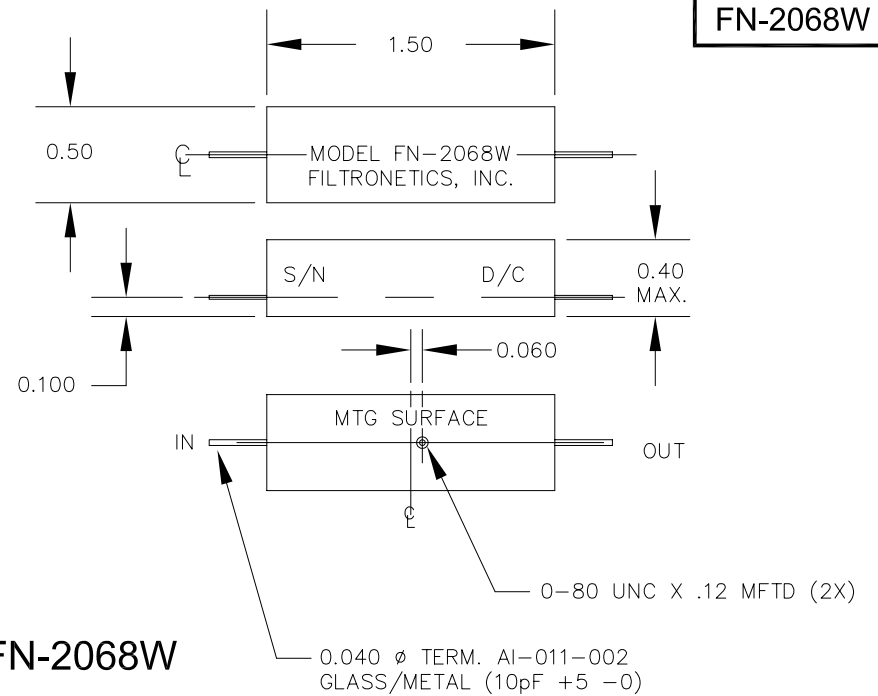
FILTRONETICS, INC.
 6010 PARRETTA DR.
 KANSAS CITY, MO 64120
 816-231-7375
 FAX 816-241-0368
 WWW.FILTRO.NET

TOLERANCES UNLESS NOTED

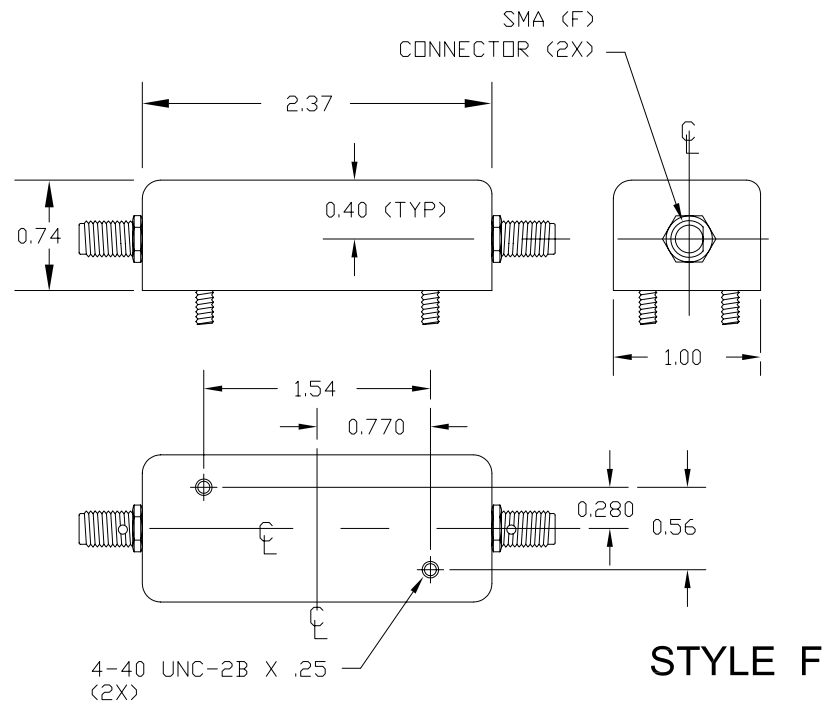
ANGLE = ± 1° .XX = ± .020 .XXX = ± .010	HOLES ± .002
---	-----------------

REVISED 1/7/2003

FN-2068W



FN-2068W



STYLE F