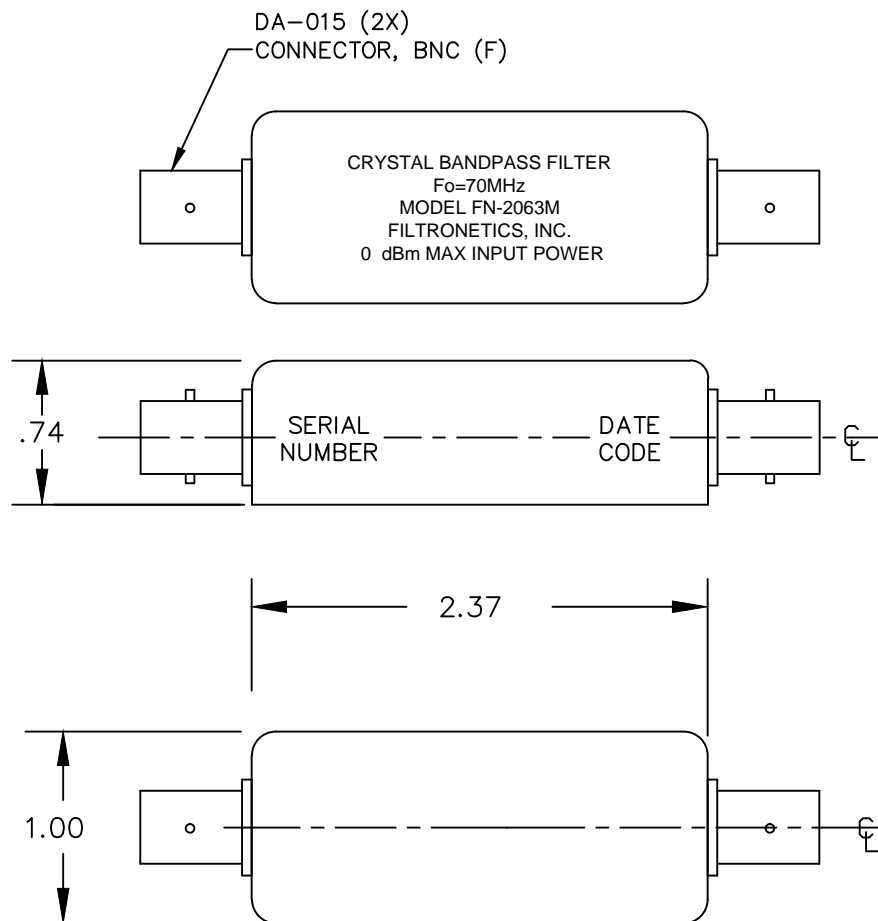


BANDPASS FILTER

Fo: 70.0 MHz
3dB BANDWIDTH: 3.5 KHz MIN
30 dB BANDWIDTH: 12 KHz MAX
60 dB BANDWIDTH: 25 KHz MAX
INSERTION LOSS: 5.0 dB MAX
IMPEDANCE: 50 OHMS (IN & OUT)
RIPPLE: 0.5 dB MAX
SPURIOUS ATTENUATION: 60 dB MINIMUM
ULTIMATE ATTENUATION: 60dB
 (UP TO 140 MHz)
OPERATING TEMPERATURE: 0°C to +50°C
MAXIMUM INPUT POWER: 0 dBm (1 mWATT)



FN-2063M DRAWING SUMMARY

FILTRONETICS, INC.
 6010 PARRETTA DR.
 KANSAS CITY, MO 64120
 816-231-7375
 FAX 816-241-0368
 WWW.FILTRO.NET

TOLERANCES UNLESS NOTED

ANGLE = ± 1°	HOLES
.XX = ± .020	± .002
.XXX = ± .010	

REVISED 10/30/2018

CAN = FA-340
 COVER=FB-007-9