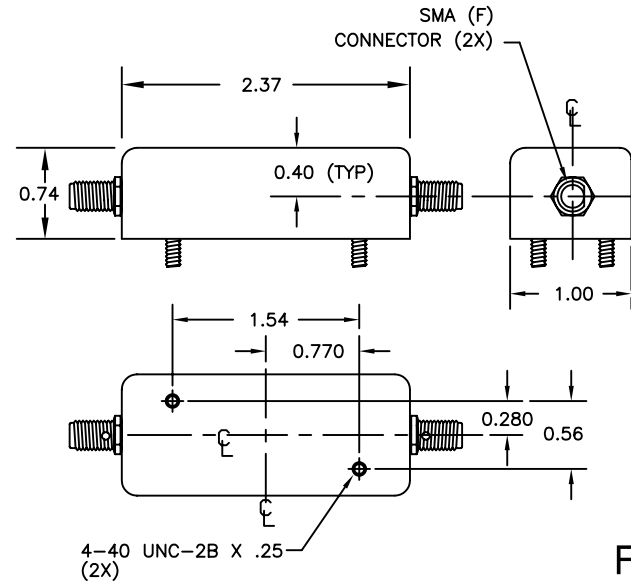


BANDPASS FILTER

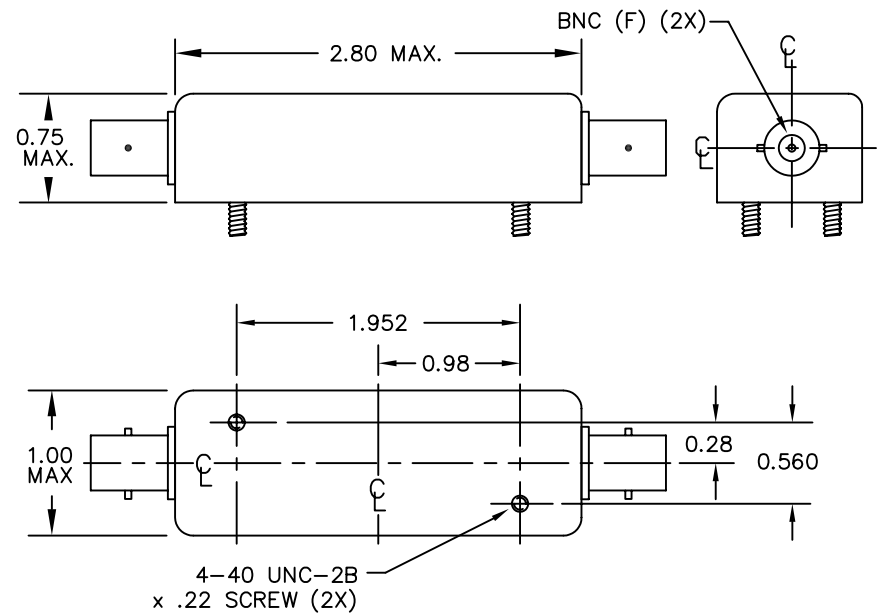
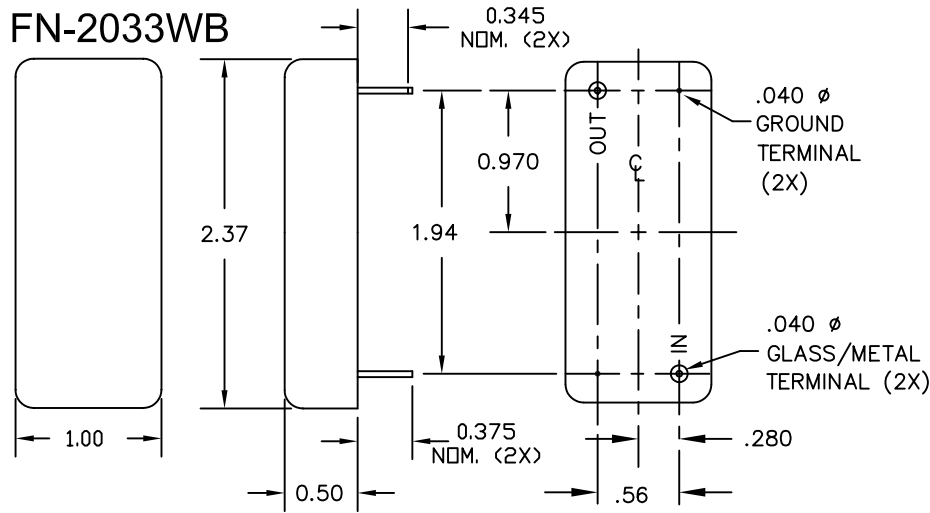
Fo: 60.0 MHz
3dB BANDWIDTH: ± 4.25 MHz MINIMUM
40 dB BANDWIDTH: 18 MHz MAXIMUM
70 dB BANDWIDTH: 26 MHz MAXIMUM
INSERTION LOSS: 3 dB MAX
IMPEDANCE: 50 OHMS (IN & OUT)
RIPPLE ± 3 MHz: 0.5 dB MAXIMUM
OPERATING TEMPERATURE: -55°C TO +61°C

FN-2033W



FN-2033WF

FN-2033WB



FN-2033WJJ

FN-2033W DRAWING SUMMARY

FILTRONETICS, INC.
 6010 PARRETTA DR.
 KANSAS CITY, MO 64120
 816-231-7375
 FAX 816-241-0368
 WWW.FILTRO.NET

TOLERANCES UNLESS NOTED

| | |
|---------------|--------|
| ANGLE = ± 1° | HOLES |
| .XX = ± .020 | ± .002 |
| .XXX = ± .010 | |

REVISED 10/21/2013