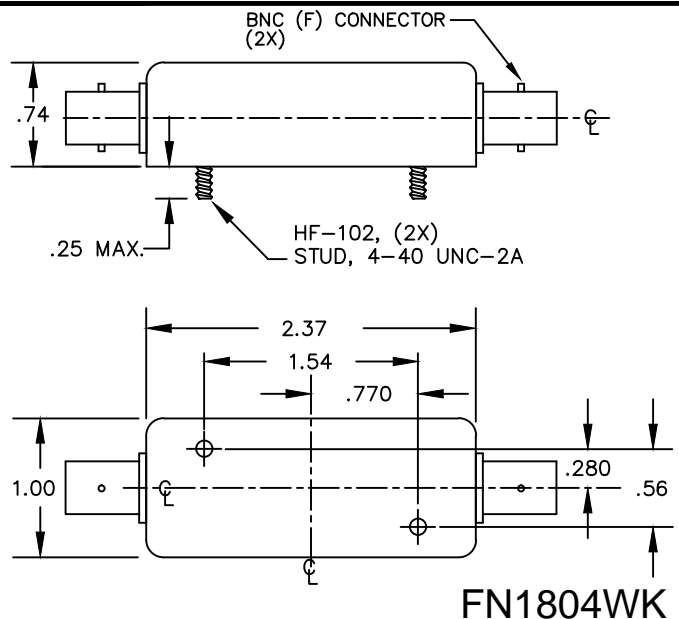
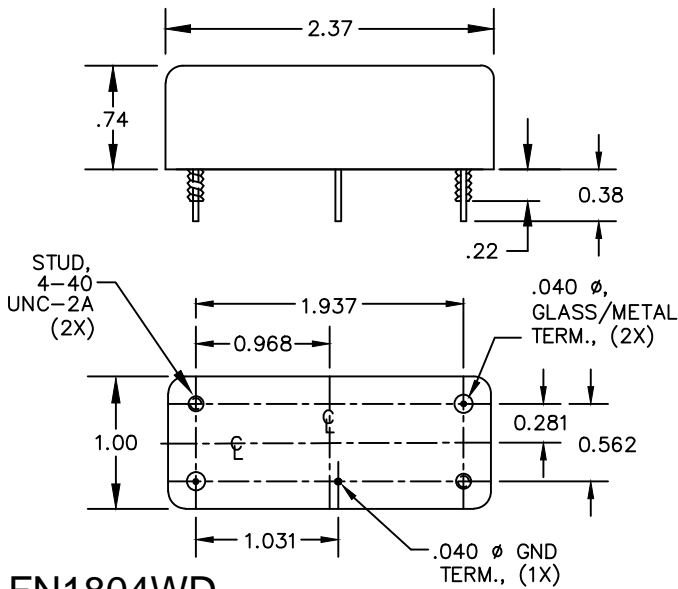
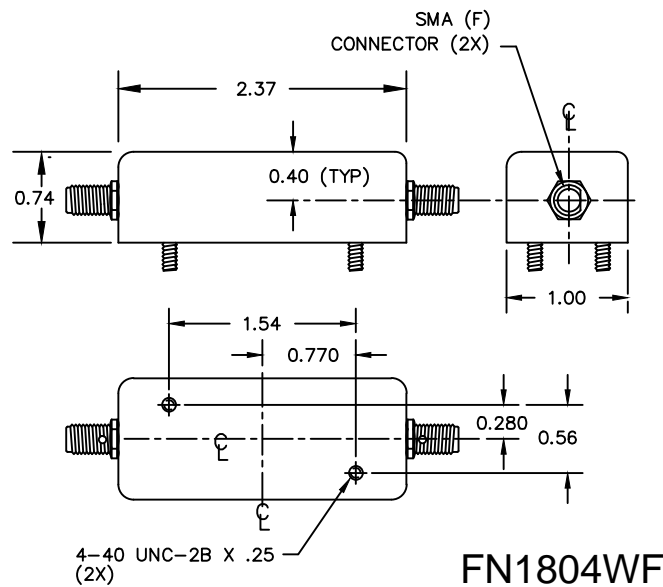


# BAND STOP FILTER

Fo: 120.0 MHz  
 IMPEDANCE : 50 OHMS (IN & OUT)  
 INSERTION LOSS: 2.0 dB MAX  
 RIPPLE: 0.5 dB MAX  
 .5dB PASSBAND: ±10 MHz LESS NOTCH  
 3dB BANDWIDTH: 57 KHz MAX  
 30dB BANDWIDTH: 14 KHz MIN  
 OPERATING TEMPERATURE : +10°C to +35°C



## FN-1804W DRAWING SUMMARY

**FILTRONETICS, INC.**  
 6010 PARRETTA DR.  
 KANSAS CITY, MO 64120  
 816-231-7375  
 FAX 816-241-0368  
 WWW.FILTRO.NET

TOLERANCES UNLESS NOTED

.XX = ± .020  
 .XXX = ± .010

ANGLE = ± 1°  
 HOLES = ± .002

REVISED 02/06/2012

