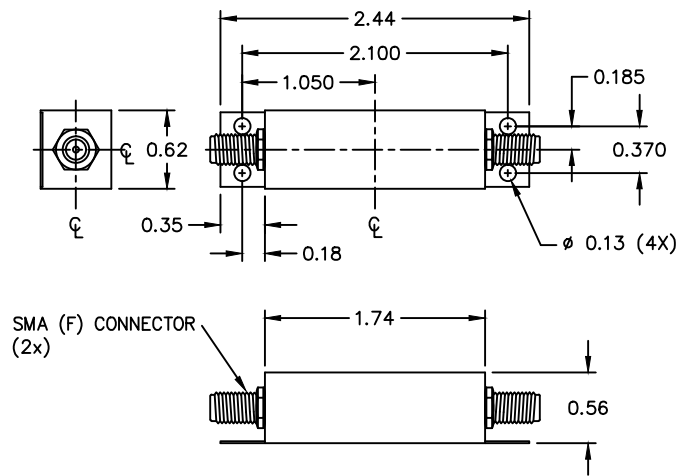


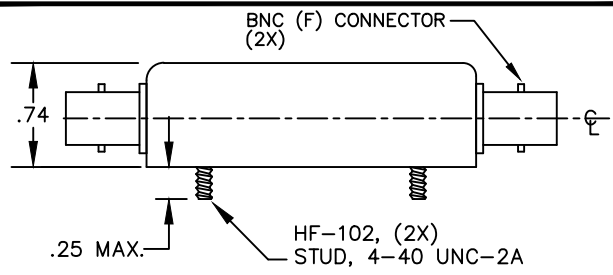
BANDPASS FILTER

Fo: 148.8125 MHz
 IMPEDANCE : 50 OHMS (IN & OUT)
 INSERTION LOSS: 5 dB MAX
 RIPPLE: 0.75 dB MAX
 3 dB BANDWIDTH: 45 KHz MIN
 60 dB BANDWIDTH: 330 KHz MAX
 OPERATING TEMPERATURE : -10°C to +55°C

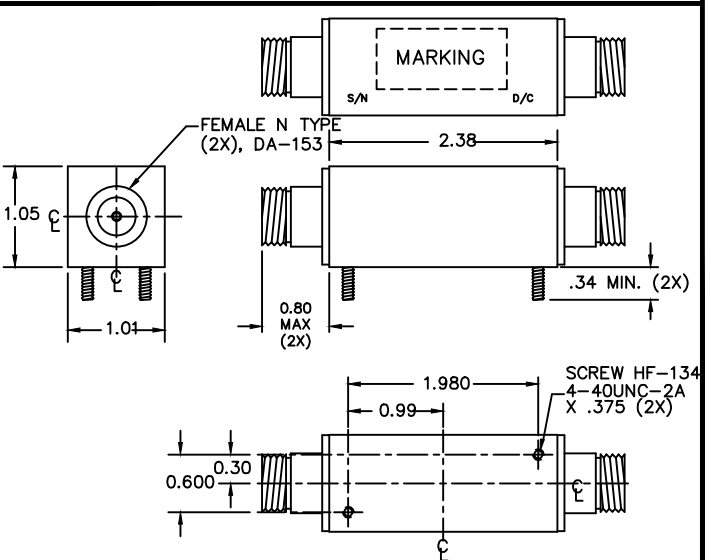
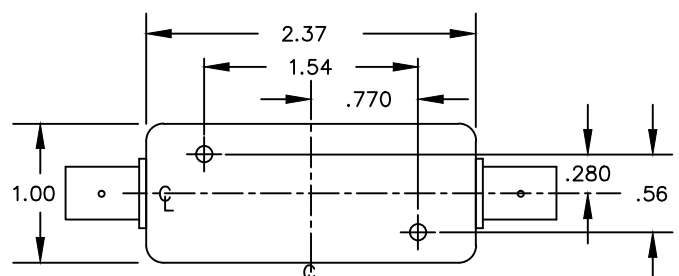
FN-1801-1W



FN-1801WT

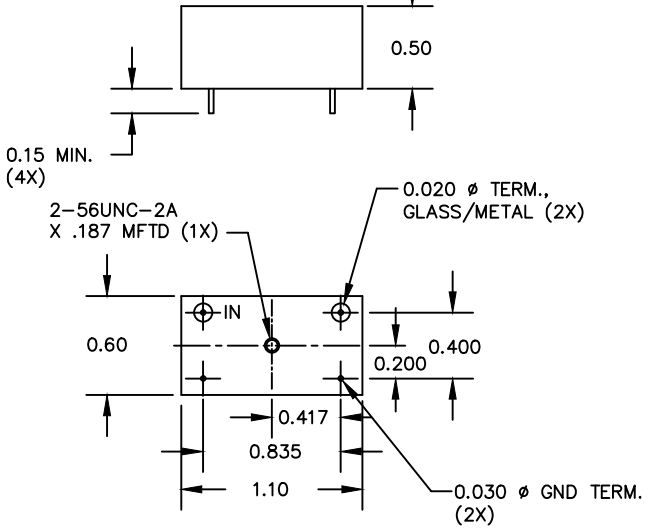


FN-1801-1WK



FN-1801-1WLL

FN-1801-1WS



FN-1801W DRAWING SUMMARY

FILTRONETICS, INC.
 6010 PARRETTA DR.
 KANSAS CITY, MO 64120
 816-231-7375
 FAX 816-241-0368
 WWW.FILTRO.NET

TOLERANCES UNLESS NOTED

.XX = ± .020
 .XXX = ± .010

ANGLE = ± 1°
 HOLES = ± .002

REVISED 6/04/2019