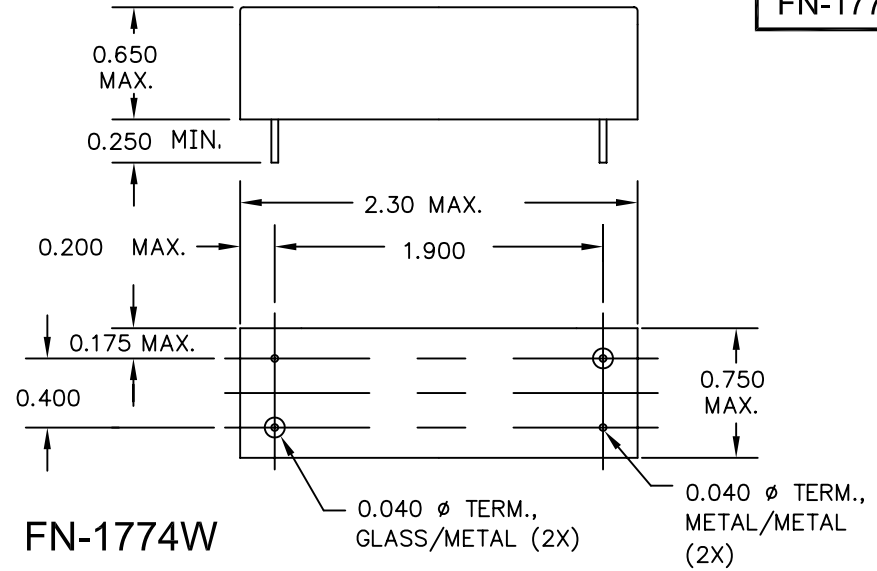


# BAND STOP FILTER

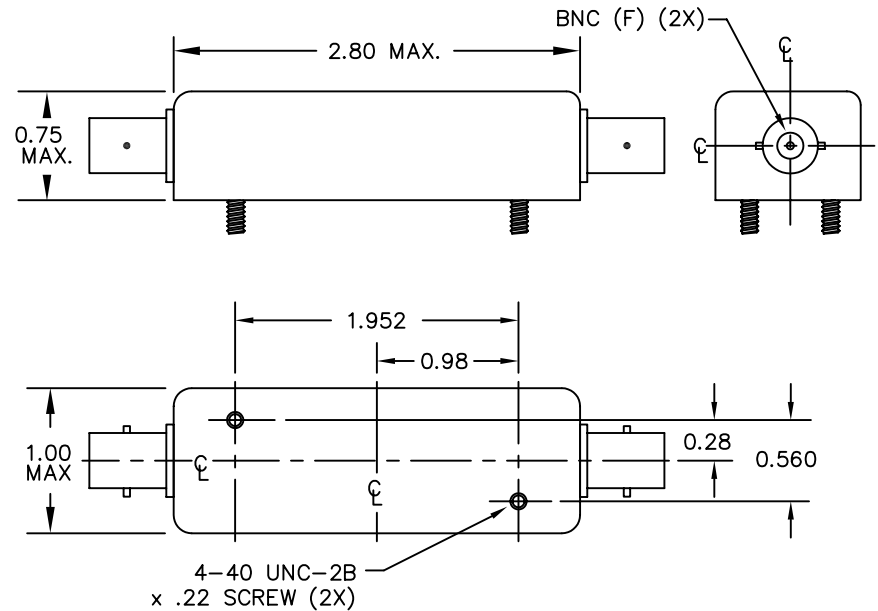
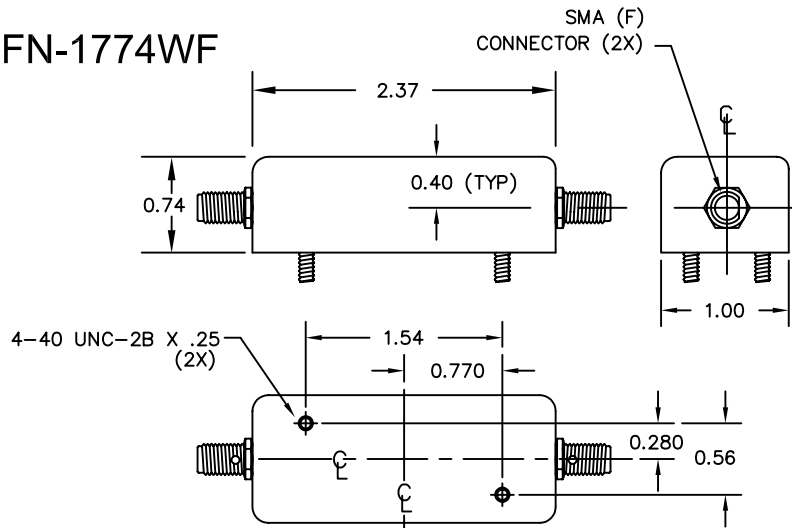
**Fc:** 70.0 MHz  
**IMPEDANCE :** 50 OHMS (IN & OUT)  
**INSERTION LOSS :** 2.0 dB MAX  
**1 dB BANDWIDTH:** 50 to 90 MHz LESS NOTCH  
**3 dB BANDWIDTH :** 70 KHz MAX  
**40dB BANDWIDTH:** 24 KHz MIN  
**60dB BANDWIDTH :** ±5 KHz MIN  
**OPERATING TEMPERATURE :** +15°C TO +35°C

FN-1774W



FN-1774W

FN-1774WF



FN-1774WJJ

## FN-1774W DRAWING SUMMARY

**FILTRONETICS, INC.**  
 6010 PARRETTA DR.  
 KANSAS CITY, MO 64120  
 816-231-7375  
 FAX 816-241-0368  
 WWW.FILTRO.NET

TOLERANCES UNLESS NOTED

ANGLE = ± 1°	HOLES ± .002
.XX = ± .020	
.XXX = ± .010	

REVISED 9/22/03