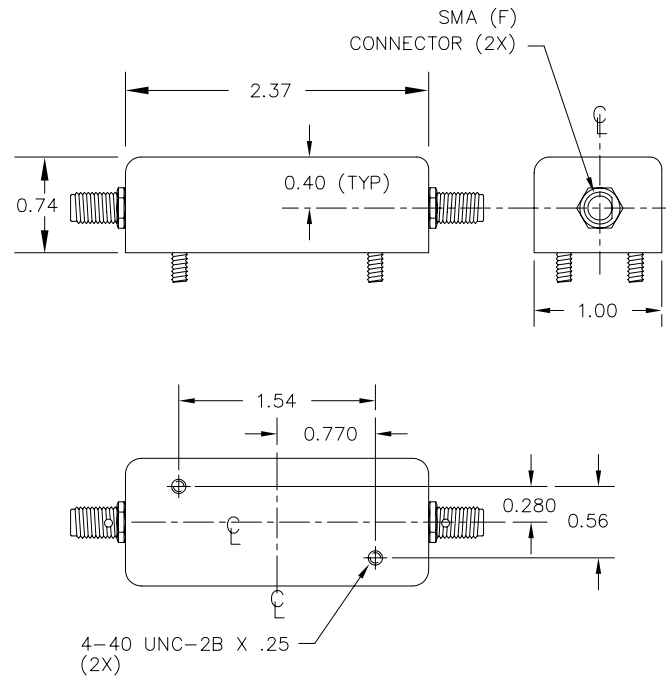


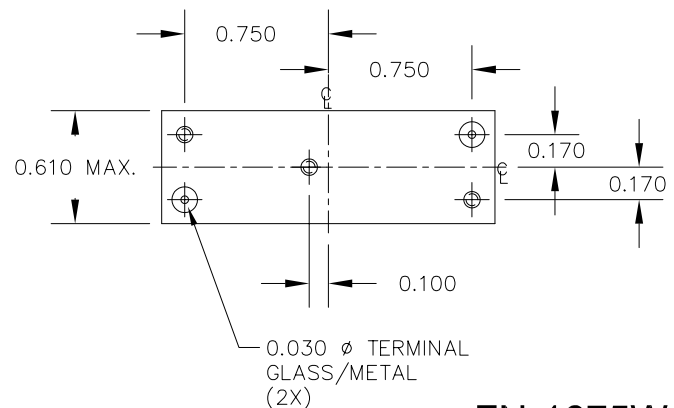
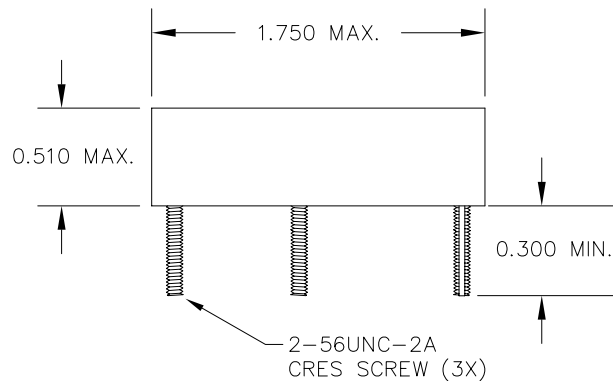
FN-1675W

BANDPASS FILTER

Fo: 21.40 MHz
IMPEDANCE : 50 OHMS (IN & OUT)
INSERTION LOSS: 4 dB MAX
RIPPLE: 1 dB MAX
6dB BANDWIDTH: ± 7.5 KHz MIN
60dB BANDWIDTH: 35 KHz MAX
85dB BANDWIDTH: 60 KHz MAX
SPURIOUS ATTENUATION: 85 dB
OPERATING TEMPERATURE : -20°C to +70°C



STYLE F



FN-1675W

FN-1675W DRAWING SUMMARY

FILTRONETICS, INC.
 6010 PARRETTA DR.
 KANSAS CITY, MO 64120
 816-231-7375
 FAX 816-241-0368
 WWW.FILTRO.NET

TOLERANCES UNLESS NOTED

.XX = ± .020
.XXX = ± .010

ANGLE = ± 1°
HOLES = ± .002

REVISED 12/31/02