

SPECIFICATION

ITEM: CRYSTAL BANDPASS FILTER
 PART NUMBER: FN-1662W

ISSUED / REVISION	ENGINEER APPROVED	DOCUMENT CHECKED	DRAFTSMAN
8/5/2021 ^(PG)	12/19/2024 ^(TG)	12/19/2024 ^(JDE)	12/19/2024 ^(PG)

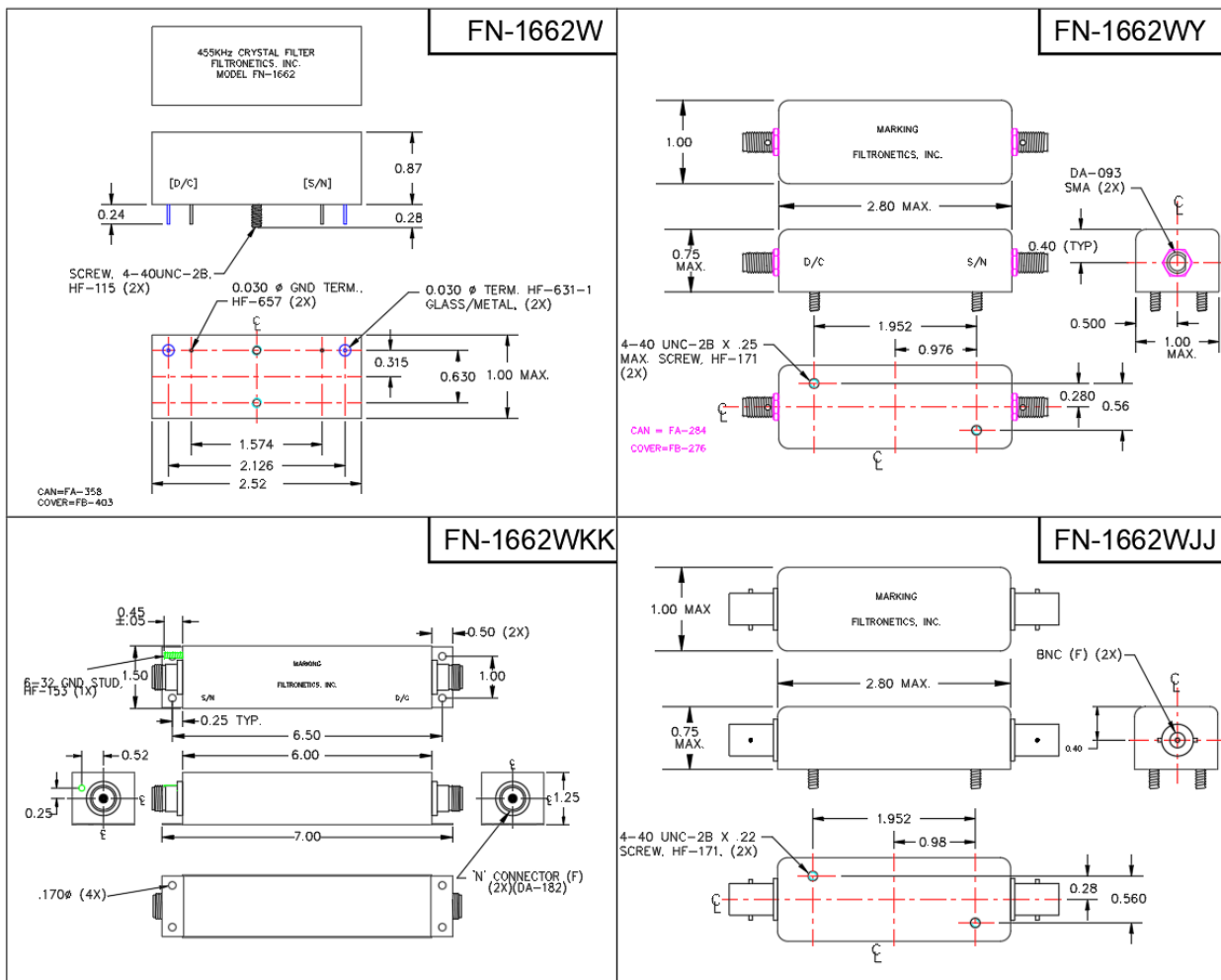
FILTRONETICS Inc

1. Part Number: FN-1662W

2. Electrical Specifications:

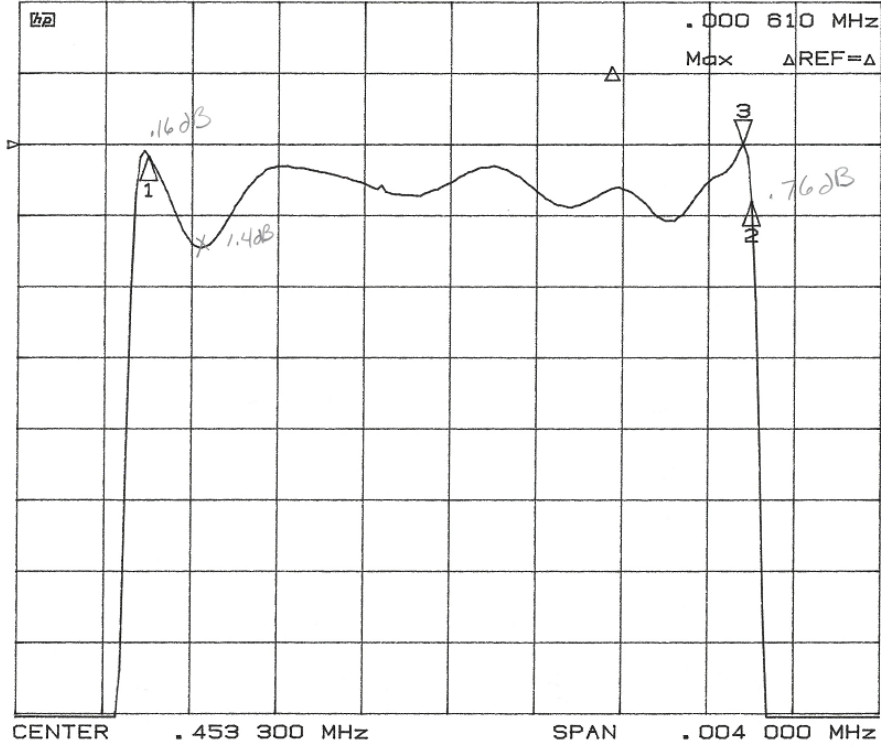
Filter Type	Band Pass
Center Frequency (Fo)	453.3 kHz
6 dB Band Width:	451.9~454.7kHz
Insertion Loss:	6 dB Max
Attenuation at 455 kHz:	66dB Min
Attenuation at 451.1 kHz:	66dB Min
Attenuation at 455.55 kHz:	66dB Min
Return Loss in Pass Band:	66dB Min
Ultimate Attenuation:	60 dB Min
Impedance:	1000 Ohms
Input Power:	0 dBm Max
Operating Temperature:	-30°C to +70°C
Workmanship:	J-STD-001
RoHS Compliant:	<input type="checkbox"/> Yes <input checked="" type="checkbox"/> No

3. Example Mechanical Package Styles:



4. Plots:

CH1 TRN log MAG 1 dB/ REF -27.25 dB 3, -1.0774 dB = I.L.



CH1 TRN log MAG 10 dB/ REF -27.33 dB 3, -100.38 dB

