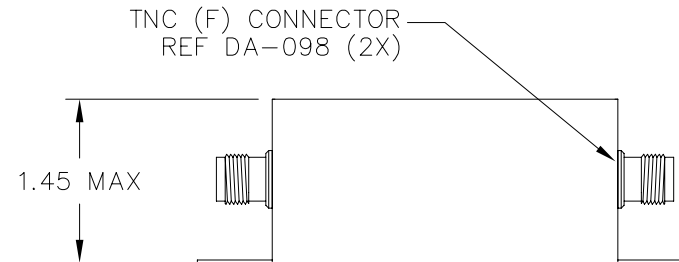
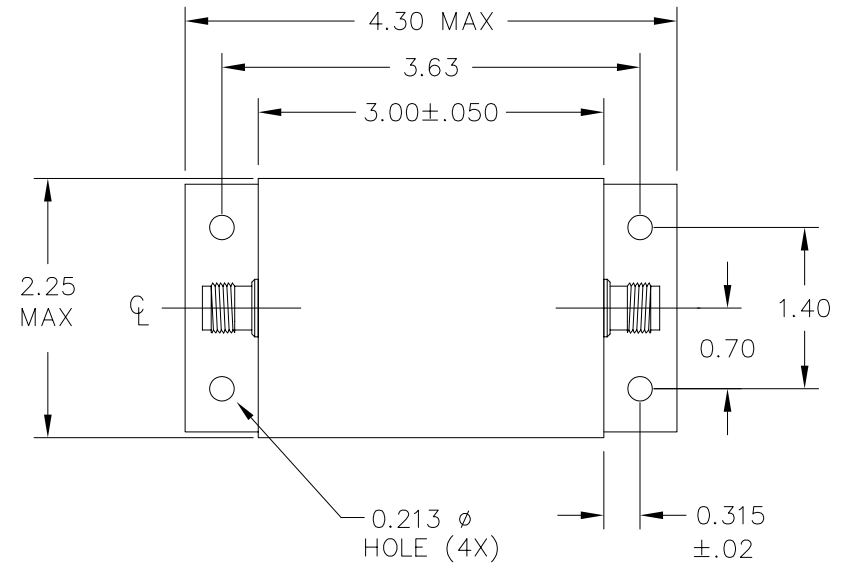


# BAND STOP FILTER

**Fc:** 98 MHz  
**IMPEDANCE :** 50 ohm  
**INSERTION LOSS:** 0.5 dB MAX  
 30 to 80 MHz & 119 to 400MHz  
**RIPPLE:** 0.5 MAX  
**3dB BANDWIDTH:** 20 MHz MAX  
**20dB BANDWIDTH:** 10 MHz MIN  
**OPERATING TEMPERATURE :** -54 °C TO +95°C

FILTER ALSO AVAILABILE WITH 'BNC'  
OR 'SMA' CONNECTORS.



## FN-1626W DRAWING SUMMARY

**FILTRONETICS, INC.**  
 6010 PARRETTA DR.  
 KANSAS CITY, MO 64120  
 816-231-7375  
 FAX 816-241-0368  
 WWW.FILTRO.NET

TOLERANCES UNLESS NOTED

ANGLE = $\pm 1^\circ$	HOLES
.XX = $\pm .020$	$\pm .002$
.XXX = $\pm .010$	

REVISED 9/8/2003