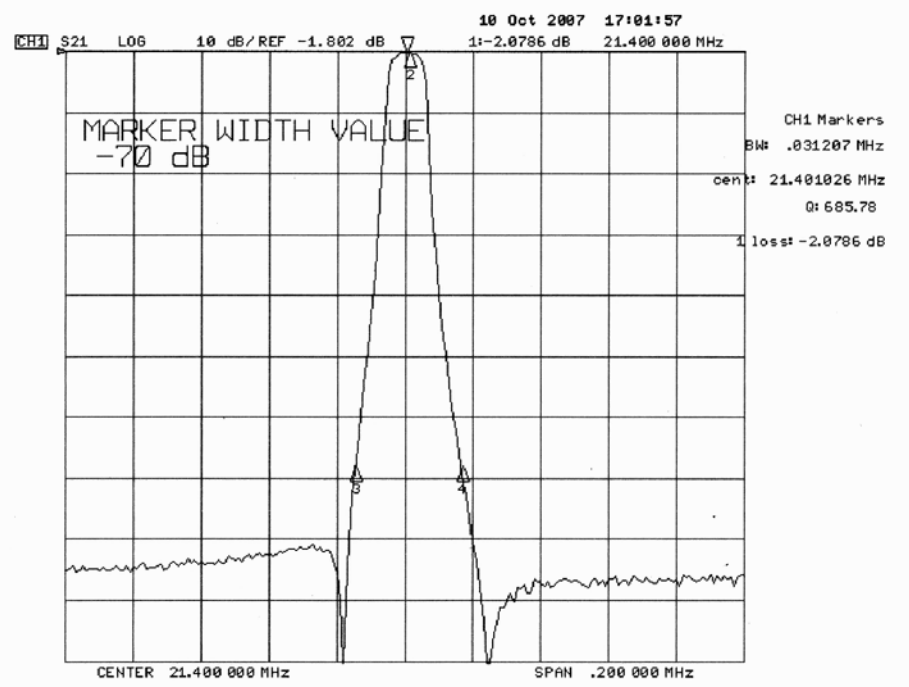


BANDPASS FILTER

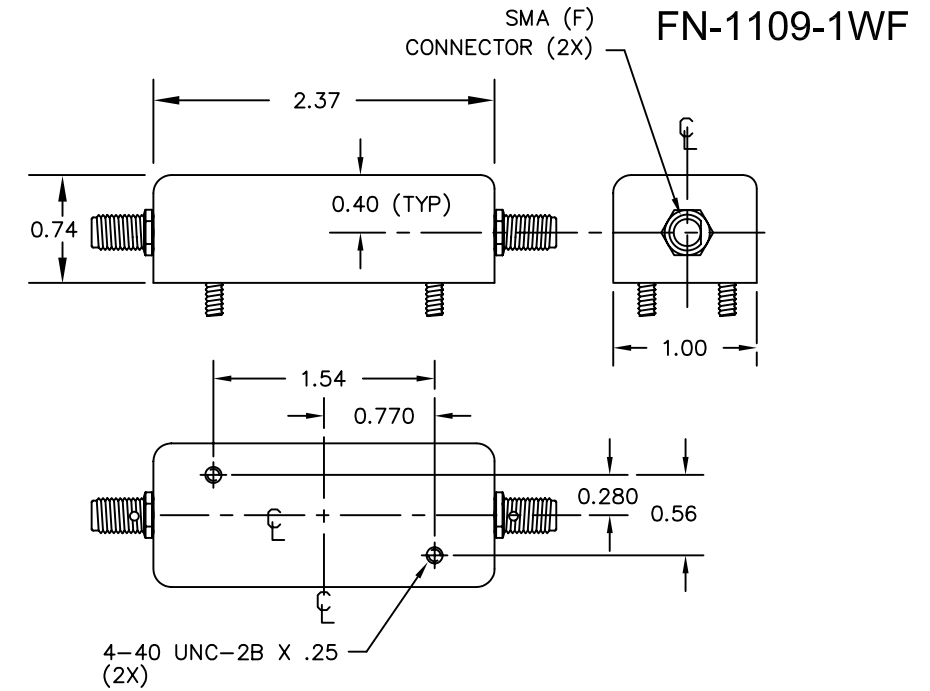
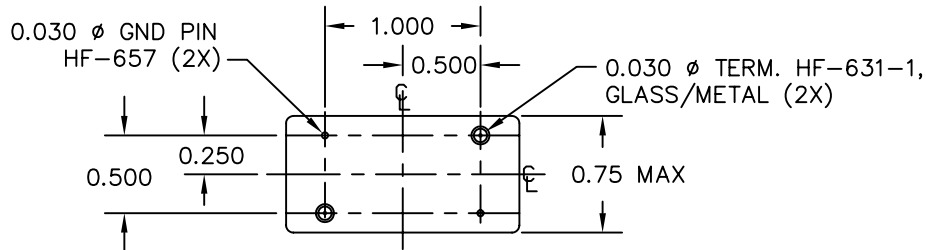
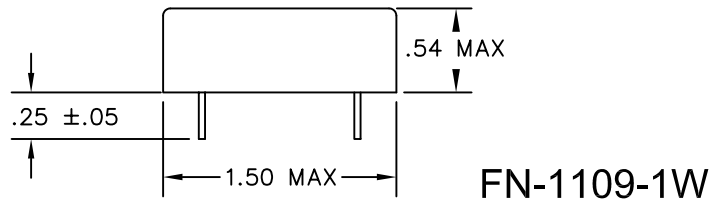
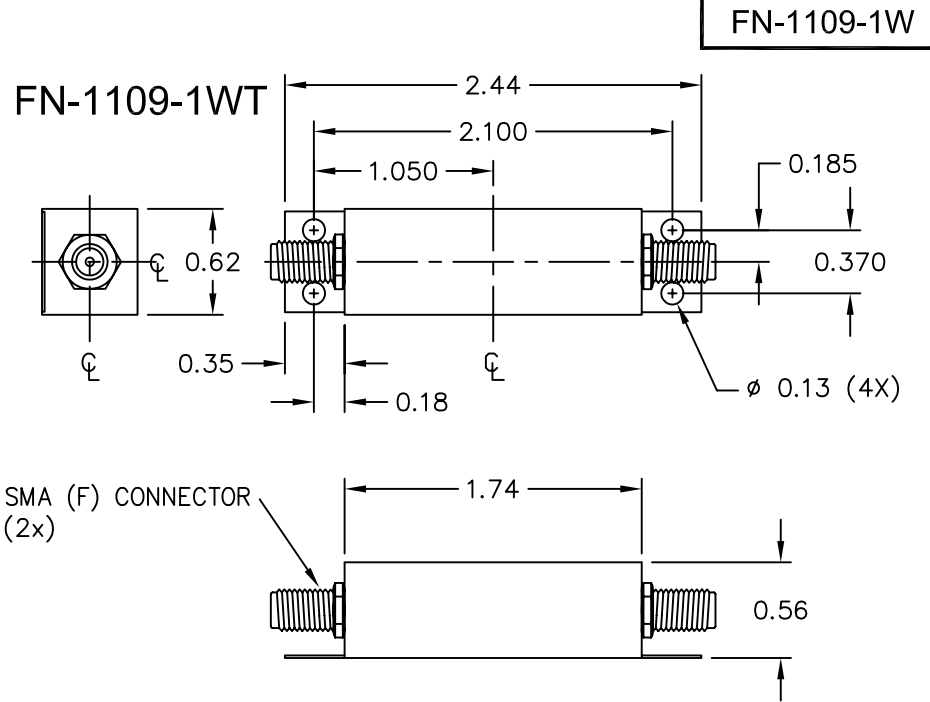
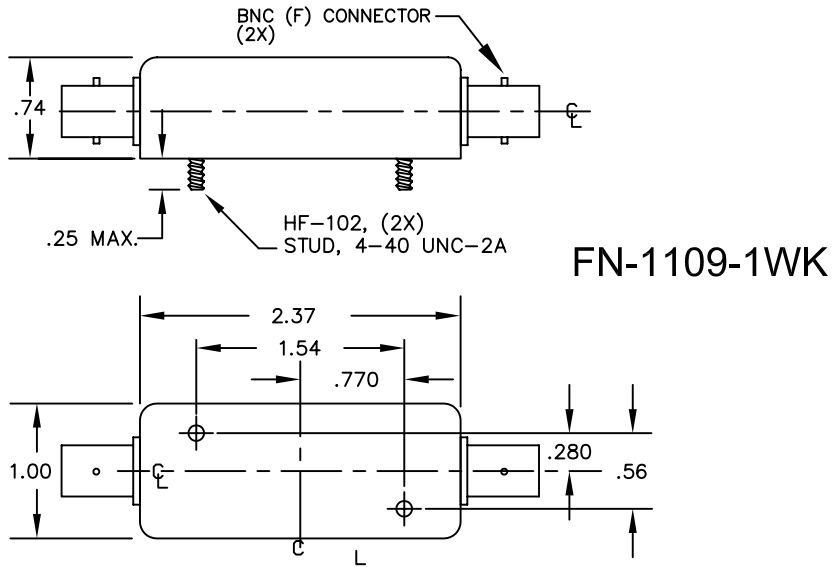
Fo: 21.4 MHz
IMPEDANCE : 50 OHMS (IN & OUT)
INSERTION LOSS: 2.5 dB MAX
RIPPLE (± 2.5 KHz): 0.5 dB MAX
3dB BANDWIDTH: 10 KHz MIN
70dB BANDWIDTH: 35 KHz MAX
GROUP DELAY VARIATION (± 2.5 KHz): 25 μ SEC MAX
ULTIMATE ATTENUATION: 75 dB TYP
OPERATING TEMPERATURE : 0°C to +70°C
EXTENDED TEMPERATURE OF -32 to +85°C AVAILABLE



FN-1109-1W DRAWING SUMMARY SHEET 1 of 2

FILTRONETICS, INC.
 6010 PARRETTA DR.
 KANSAS CITY, MO 64120
 816-231-7375
 FAX 816-241-0368
 WWW.FILTRO.NET

TOLERANCES UNLESS NOTED
 ANGLE = $\pm 1^\circ$ HOLES
 .XX = $\pm .020$ $\pm .002$
 .XXX = $\pm .010$
 REVISED 10/15/07



FN-1109-1W DRAWING SUMMARY SHEET 2 of 2

FILTRONETICS, INC.
 6010 PARRETTA DR.
 KANSAS CITY, MO 64120
 816-231-7375
 FAX 816-241-0368
 WWW.FILTRO.NET

TOLERANCES UNLESS NOTED

ANGLE = $\pm 1^\circ$	HOLES
.XX = $\pm .020$	$\pm .002$
.XXX = $\pm .010$	

REVISED 10/15/07