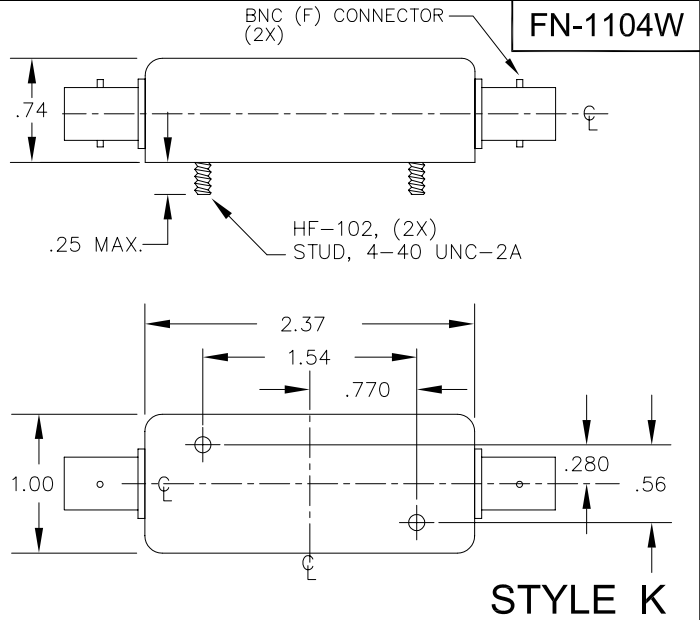
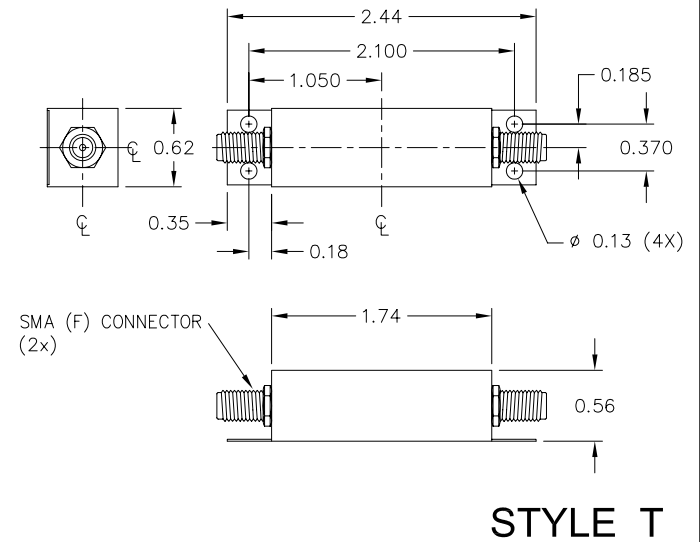
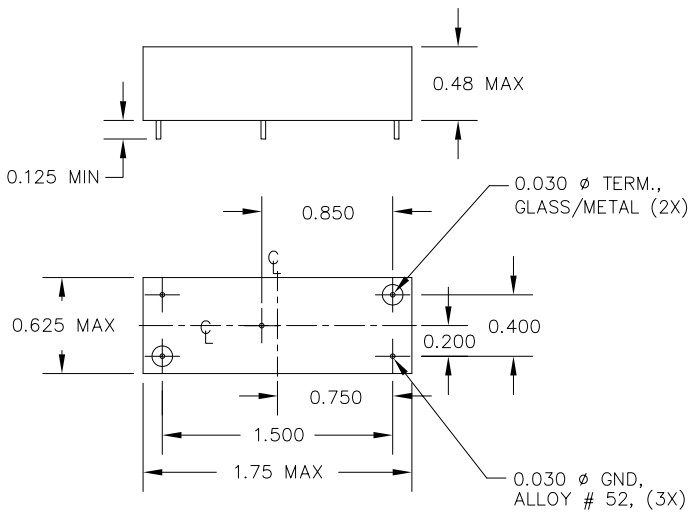


BANDPASS FILTER

Fo: 21.4 MHz
IMPEDANCE : 50 OHMS (IN & OUT)
INSERTION LOSS: 3.75 dB MAX
RIPPLE: 2 dB MAX
3dB BANDWIDTH: 70 KHz MIN
60dB BANDWIDTH: 210 KHz MAX
ULTIMATE ATTENUATION: 75 dB to 100 MHz
GROUP DELAY (± 18 KHz): 6.5 μ SEC MAX VARIATION
OPERATING TEMPERATURE : 0°C to +60°C



STYLE GG



FN-1104W DRAWING SUMMARY

FILTRONETICS, INC.
 6010 PARRETTA DR.
 KANSAS CITY, MO 64120
 816-231-7375
 FAX 816-241-0368
 WWW.FILTRO.NET

TOLERANCES UNLESS NOTED

.XX = \pm .020
 .XXX = \pm .010

ANGLE = \pm 1°
 HOLES = \pm .002

REVISED 12/31/02

