

SPECIFICATION

COMMERCIALY AVAILABLE

CERAMIC BAND PASS
PART NUMBER: CF-47751805
RoHS

ISSUED / REVISION	ENGINEER APPROVED	DOCUMENT CHECKED	DRAFTSMAN	DOCUMENT CHECKED
5/5/15 ^(kn)				

FILTRONETICS Inc

1. APPLICATION

THIS SPECIFICATION APPLIES TO A BAND PASS FILTER, USING DIELECTRIC RESONATORS.

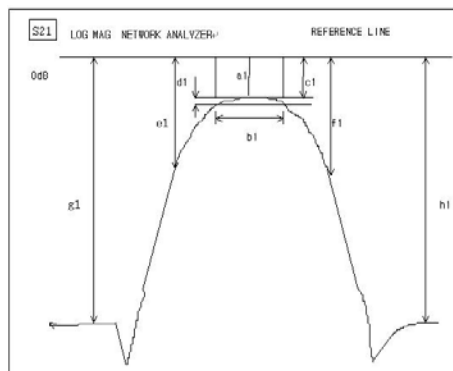
2. PART NUMBER:

PART NO	CF-47751805
PACKAGING	PLASTIC TRAY

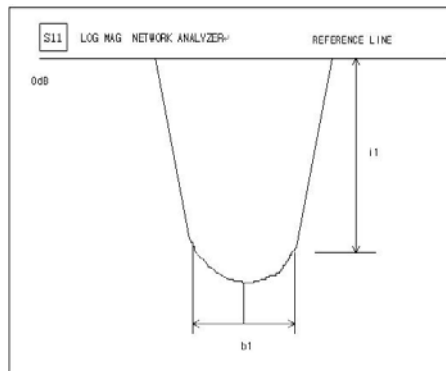
3. SPECIFICATIONS:

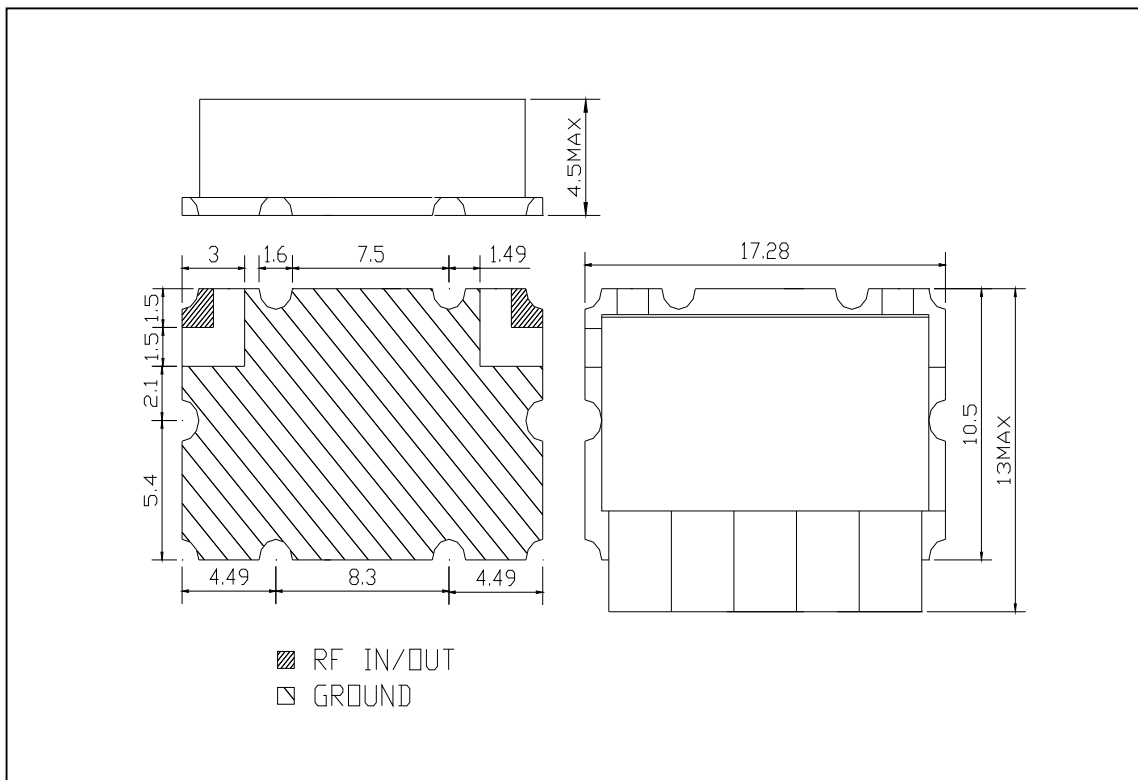
NO	ITEMS	Ref.	SPECIFICATION
1	Center Frequency (Fo)	a1	4775 MHz
2	Pass Band Width (=PB)	b1	Fo+/-90 MHz
3	Insertion Loss AT Fo	a1	3.5 dB Max
4	Return Loss IN Fo+/-90MHz	-	10dB Min
5	Attenuation [absolute value]	At Fo-200 MHz	25 dB Min
		At Fo+200 MHz	18 dB Min
6	Group Delay Variation In PB	-	10nsec Max
7	Impedance	-	50Ω
8	Maximum Input Power	-	1 W (+30dBm)
9	Operating Temperature Range	-	-35 ~ +85°C

S21 LOG MAG NETWORK ANALYZER



S11 LOG MAG NETWORK ANALYZER



4. DIMENSIONS:**MATERIAL SPECIFICATION**

1. PCB
 - 1) MATERIAL: FR4
 - 2) TERMINALS: Au PLATED
1. METAL CASE
 - 1) COVER MATERIAL: Brass (Sn OR Ni PLATED)
2. RESONATOR : Dielectric Resonator
 - 1) COATING MATERIAL: Ag
 - 2) Number of Poles : 5 Poles
3. ROHS Compliant.

UNIT: MM

TOLERANCE: +/-0.5MM

IN/OUT LAND : +/-0.3MM

LABEL MARKING

CF-47751805

Date Code

CAUTIONS:

1. When handling products, be careful not to damage the outer-electrode.
2. When handling products be careful not to touch the outer-electrode with bare hands or solderability is reduced.
3. Do not apply excessive pressure or shock to product in handling or in transportation or damage to the ceramic filters may result.