

**SPECIFICATION**  
**COMMERCIALY AVAILABLE**

**CERAMIC BAND PASS**  
**PART NUMBER: CF-38008006**  
**RoHS**

Available as SMA  
 See FNP-1031

ISSUED / REVISION	ENGINEER APPROVED	DOCUMENT CHECKED	DRAFTSMAN	DOCUMENT CHECKED
2/20/08 **				
1/9/12 kn	05/22/2014 TFG		05/22/2014 GL	

**FILTRONETICS Inc**

1. APPLICATION

THIS SPECIFICATION APPLIES TO BAND PASS FILTER, USING DIELECTRIC RESONATORS.

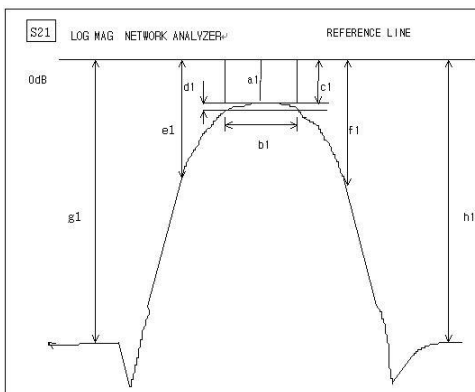
2. PART NUMBER

PART NO	CF-38008006
PACKAGING	PLASTIC TRAY

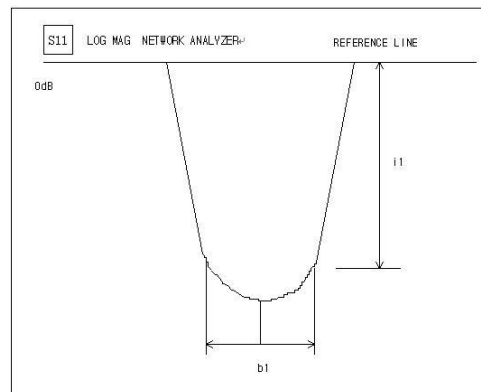
3. SPECIFICATIONS

NO	ITEMS	Ref.	SPECIFICATION
1	Center Frequency (Fo)	a1	3800 MHz
2	Pass Band Width	b1	FO +/-400 MHz
3	Insertion Loss AT Fo	a1	1.5 dB Max
4	Attenuation [Absolute Value]	AT 3200 MHz	37 dB Min
		AT 3250 MHz	28 dB Min
		AT 3350 MHz	5 dB Min
		AT 4250 MHz	-
		AT 4350 MHz	10 dB Min
	AT 4450 MHz	15 dB Min	
5	Return Loss IN PB	-	-
6	Impedance	-	50Ω
7	Maximum Input Power	-	1 W (+30dBm)
8	Operating Temperature Range	-	-35 ~ +85°C

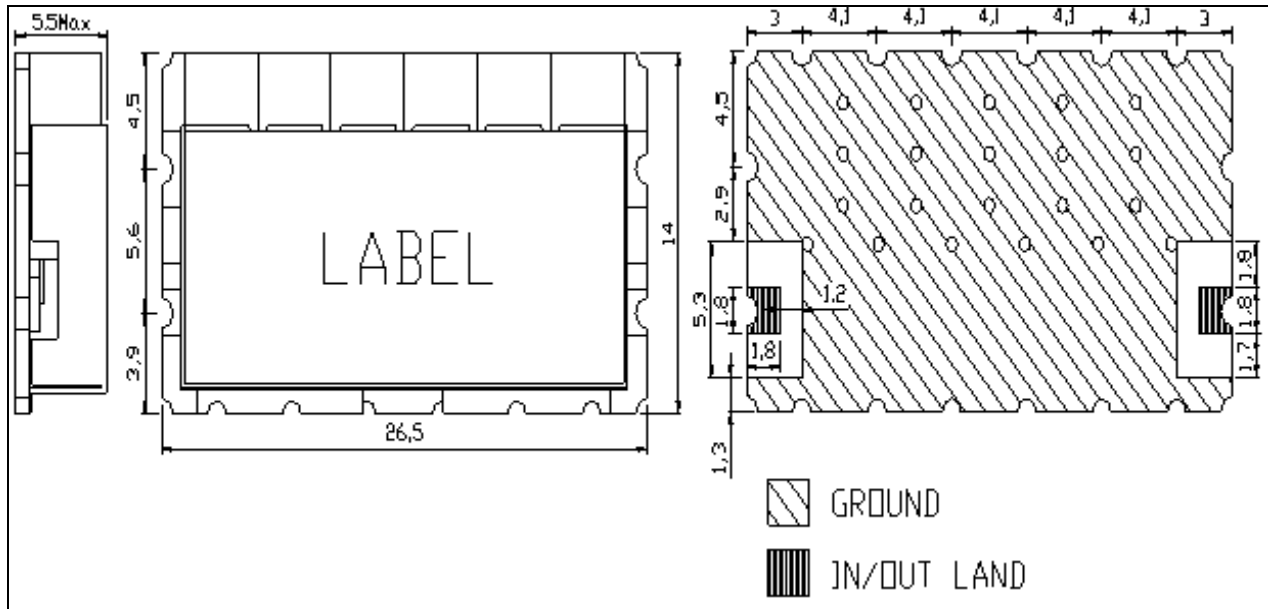
S21 LOG MAG NETWORK ANALYZER



S11 LOG MAG NETWORK ANALYZER



4. DIMENSIONS:



**MATERIAL SPECIFICATION**

1. PCB
  - 1) MATERIAL: FR4
  - 2) TERMINALS: Au PLATED
2. METAL CASE
  - 1) MATERIAL: Sn OR Ni PLATED
3. RESONATOR
  - 1) COATING MATERIAL: Ag
4. ROHS Compliant

**MARKING**

CF-38008006  
 Filtronetics  
 Date Code

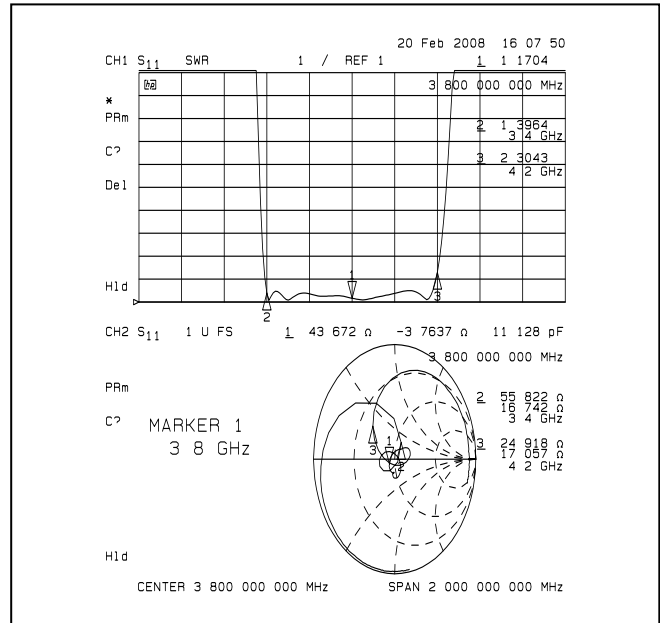
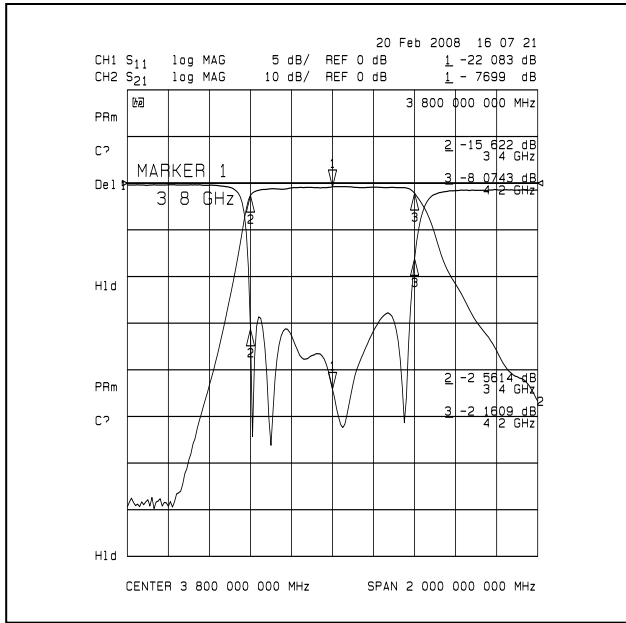
UNIT: MM  
 TOLERANCE: +/-0.5MM  
 IN/OUT LAND: +/-0.3MM

● **CAUTIONS:**

1. When handling products, be careful not to damage the outer-electrode.
2. When handling products great care to be taken not to touch the outer-electrode with bare hands or solder-ability is reduced.
3. Do not apply excessive pressure or shock to product in handling or in transportation or damage to the ceramic filters may result.

5. GRAPHS:

S21 vs S11 (INSERTION LOSS, RETURN LOSS, V.S.W.R, SMITH CHART)



S21 (ATTENUATION)

