

SPECIFICATION

COMMERCIALLY AVAILABLE

CERAMIC BAND PASS
PART NUMBER: CF-28501005A

ISSUED / REVISION	ENGINEER APPROVED	DOCUMENT CHECKED	DRAFTSMAN	DOCUMENT CHECKED
11/14/16 ^(kn)				

FILTRONETICS Inc

1. APPLICATION

THIS SPECIFICATION APPLIES TO A BAND PASS FILTER, USING DIELECTRIC RESONATORS.

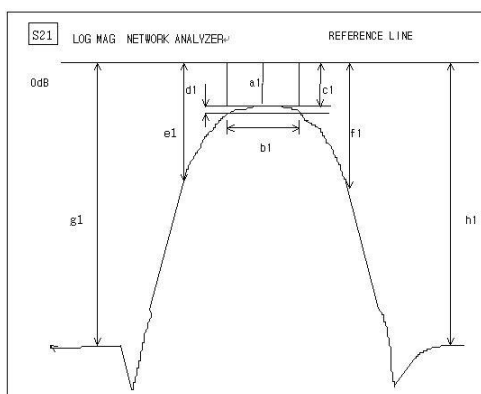
2. PART NUMBER:

PART NO	CF-28501005A
PACKAGING	PLASTIC TRAY

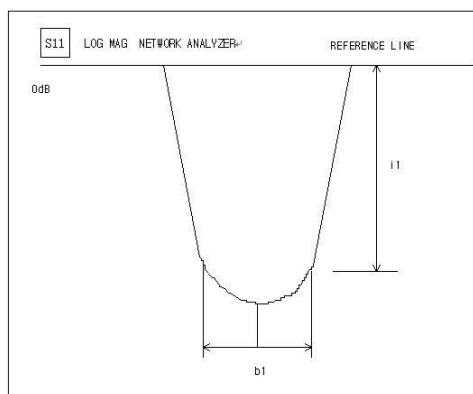
3. SPECIFICATIONS:

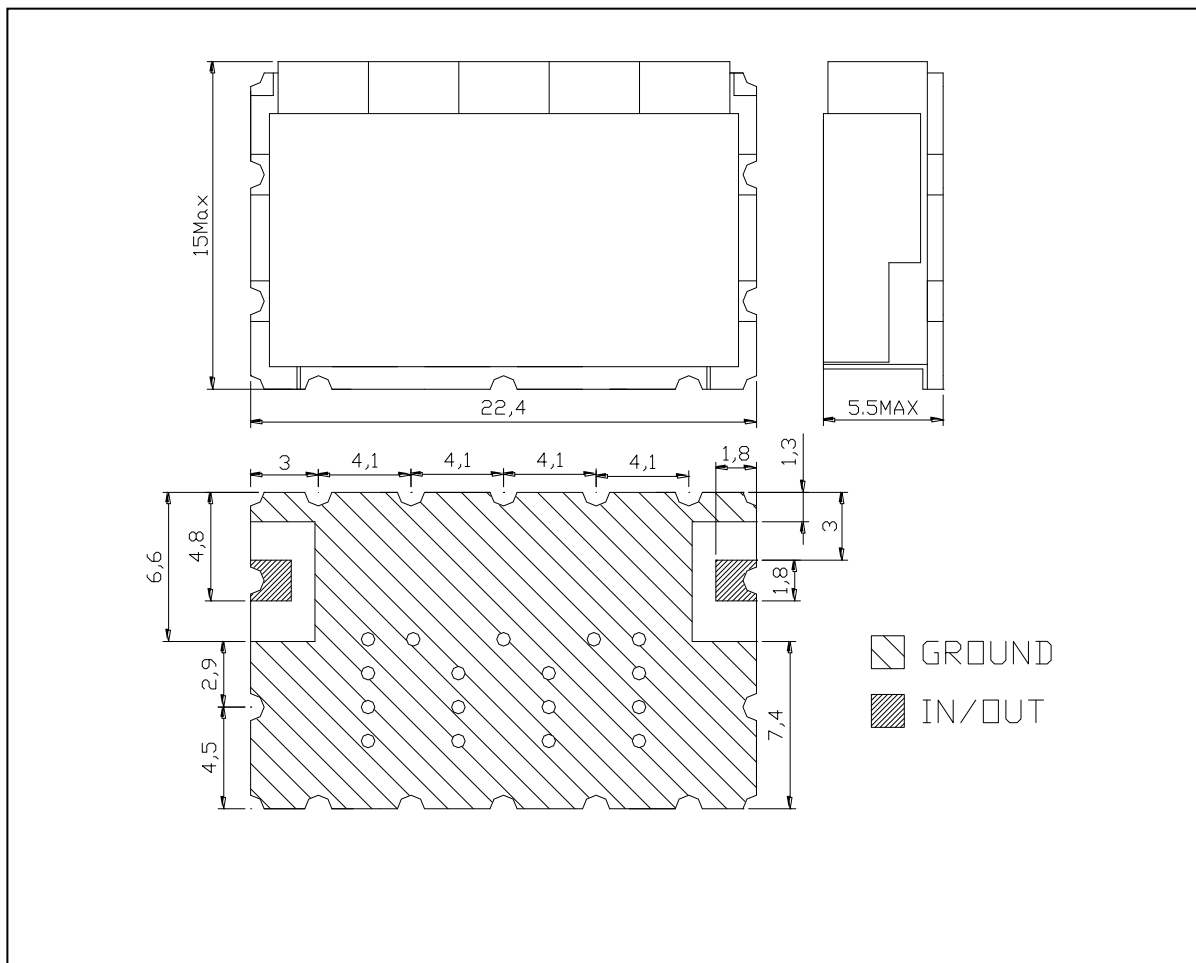
NO	ITEMS	-	SPECIFICATION
1	Center Frequency (Fo)	-	2850MHz
2	3dB Pass Band Width (=PB)	-	Fo+/-50 MHz
3	Insertion Loss at Fo+/- 42.5MHz	-	5.5 dB max
4	Ripple at Fo+/- 42.5MHz	-	1.5 dB Max
5	40dB Band Width	-	280Mhz Max
6	Return Loss at Fo+/- 42.5MHz	-	12 dB Min
7	Impedance	-	50Ω
8	Maximum Input Power	-	1 W (+30dBm) Max
9	Operating Temperature Range	-	-30 - +75°C

S21 LOG MAG NETWORK ANALYZER



S11 LOG MAG NETWORK ANALYZER



4. DIMENSIONS:**MATERIAL SPECIFICATION**

1. PCB
 - 1) MATERIAL: FR4
 - 2) TERMINALS: Au PLATED
2. METAL CASE
 - 1) MATERIAL: Sn OR Ni PLATED
3. RESONATOR
 - 1) COATING MATERIAL: Ag
 - 2) DIMENSION: 4MM x 4MM

MARKING

Filtronetics, Inc
 PART NO
 Date Code

UNIT: MM
 TOLERANCE: +/-0.5MM

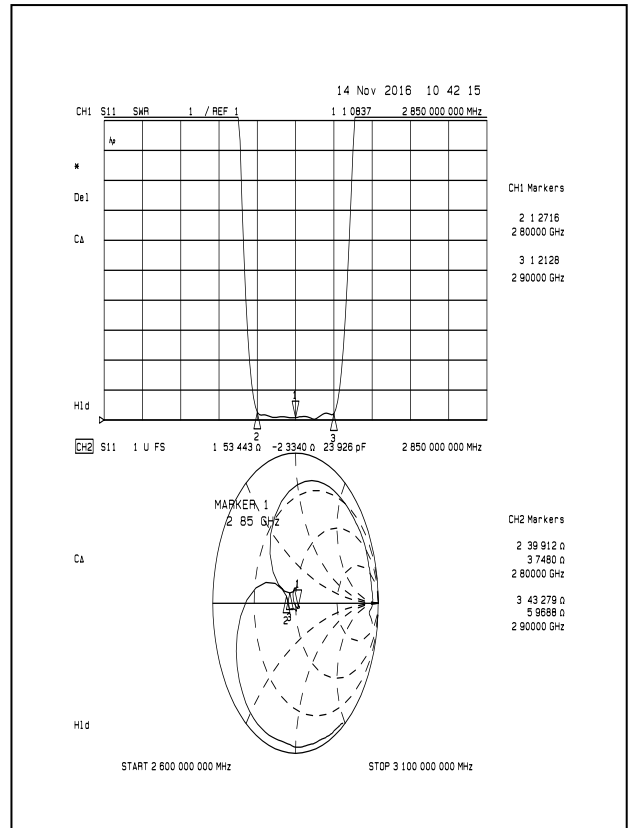
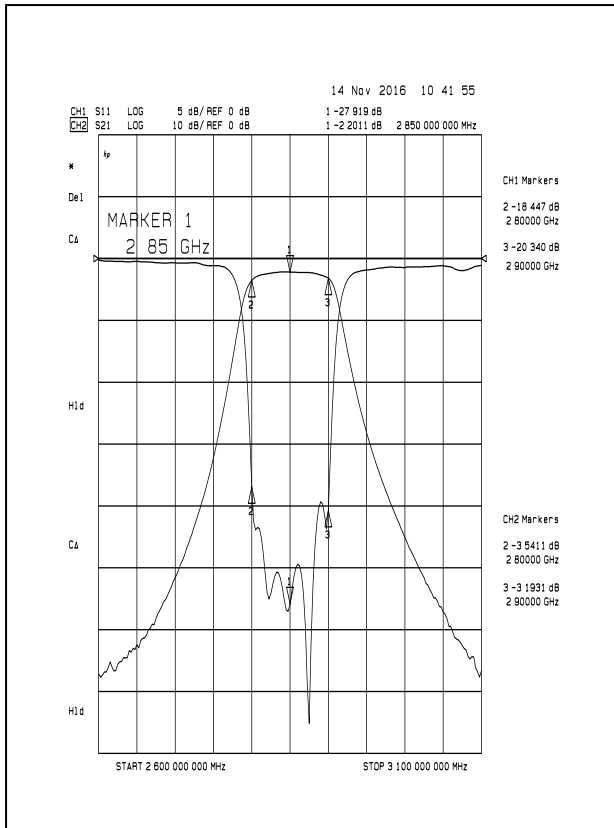
IN/OUT LAND TOLERANCE: +/- 0.3MM

- **CAUTIONS:**

1. When handling products, be careful not to damage the outer-electrode.
2. When handling products be careful not to touch the outer-electrode with bare hands or solderability is reduced.
3. Do not apply excessive pressure or shock to product in handling or in transportation or damage to the ceramic filters may result.

5. SIMULATION:

S21 vs S11 (INSERTION LOSS, RETURN LOSS, V.S.W.R, SMITH CHART)



S21 (3dB BAND WIDTH, 40dB BAND WIDTH)

