

# SPECIFICATION

COMMERCIALLY AVAILABLE

CERAMIC

PART NUMBER: CF-25503004

RoHS

Available in SMA

See FNP-1030

ISSUED / REVISION	ENGINEER APPROVED	DOCUMENT CHECKED	DRAFTSMAN	DOCUMENT CHECKED
2/20/08 **				
1/9/12 kn	06/06/2012 TFG		06/06/2012 GL	

**FILTRONETICS Inc**

**1. APPLICATION**

THIS SPECIFICATION APPLIES TO A BAND PASS FILTER, USING DIELECTRIC RESONATORS.

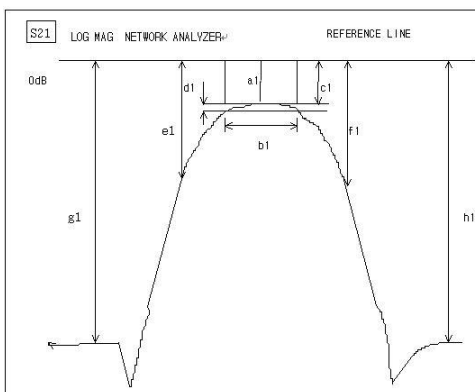
**2. PART NUMBER**

PART NO	CF-25503004
PACKAGING	PLASTIC TRAY

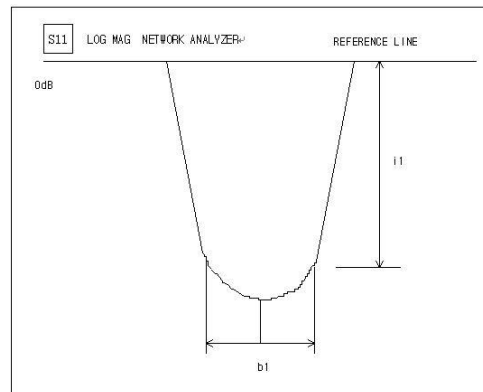
**3. SPECIFICATIONS**

NO	ITEMS	Ref.	SPECIFICATION
1	Center Frequency (Fo)	a1	2550 MHz
2	Pass Band Width	b1	FO +/-150 MHz
3	Insertion Loss AT Fo	a1	1.5 dB Max
4	Attenuation [Absolute Value]	AT 2150 MHz	30 dB Min
		AT 3150 MHz	30 dB Min
5	Return Loss IN PB	-	10 dB Min
6	Impedance	-	50Ω
7	Maximum Input Power	-	1 W (+30dBm)
8	Operating Temperature Range	-	-35 ~ +85°C

**S21 LOG MAG NETWORK ANALYZER**

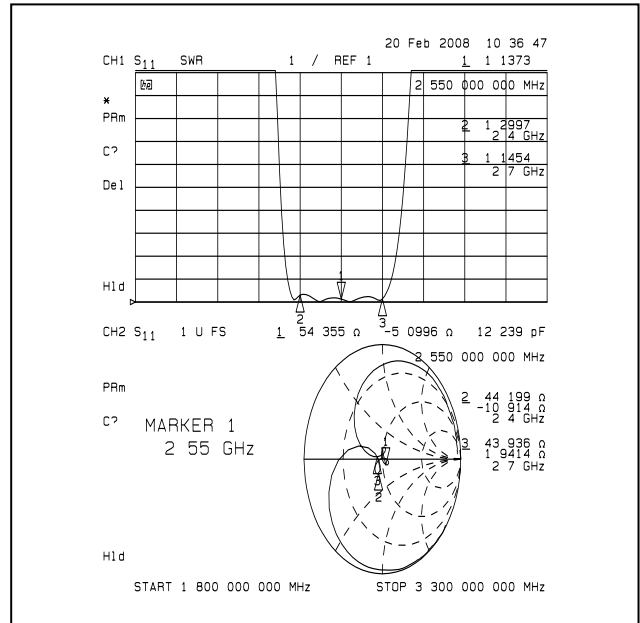
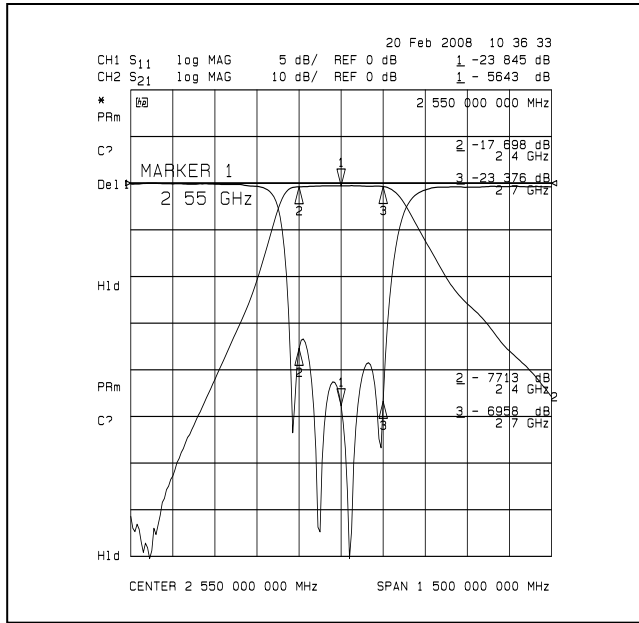


**S11 LOG MAG NETWORK ANALYZER**

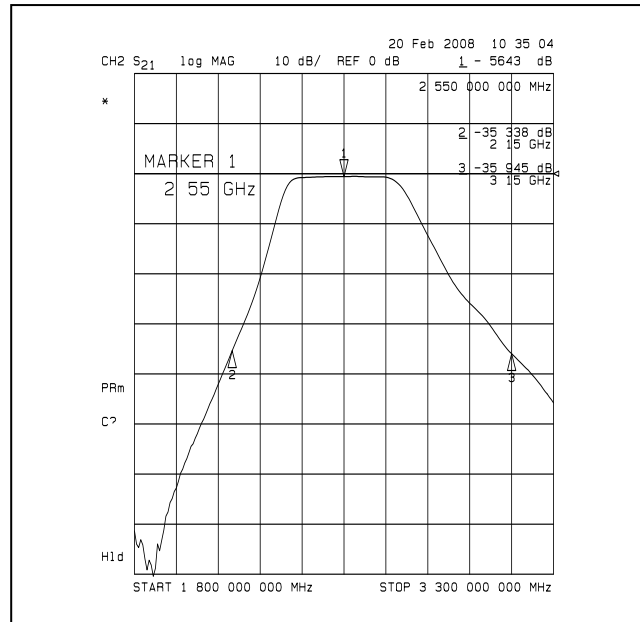
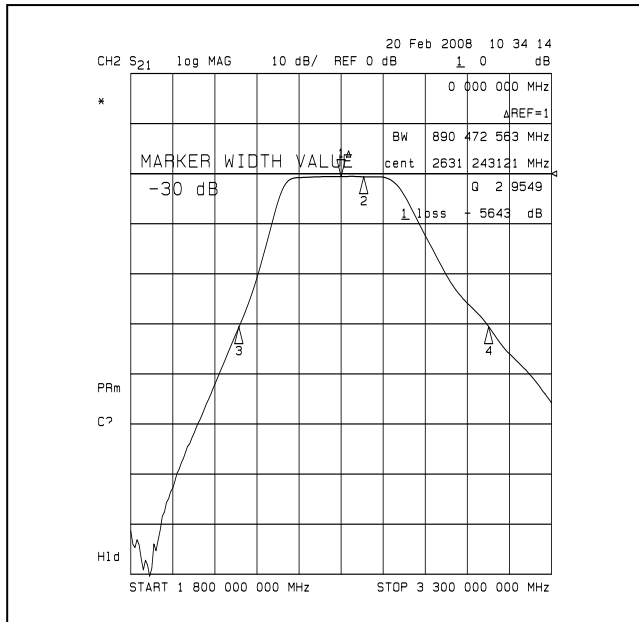


4. GRAPHS:

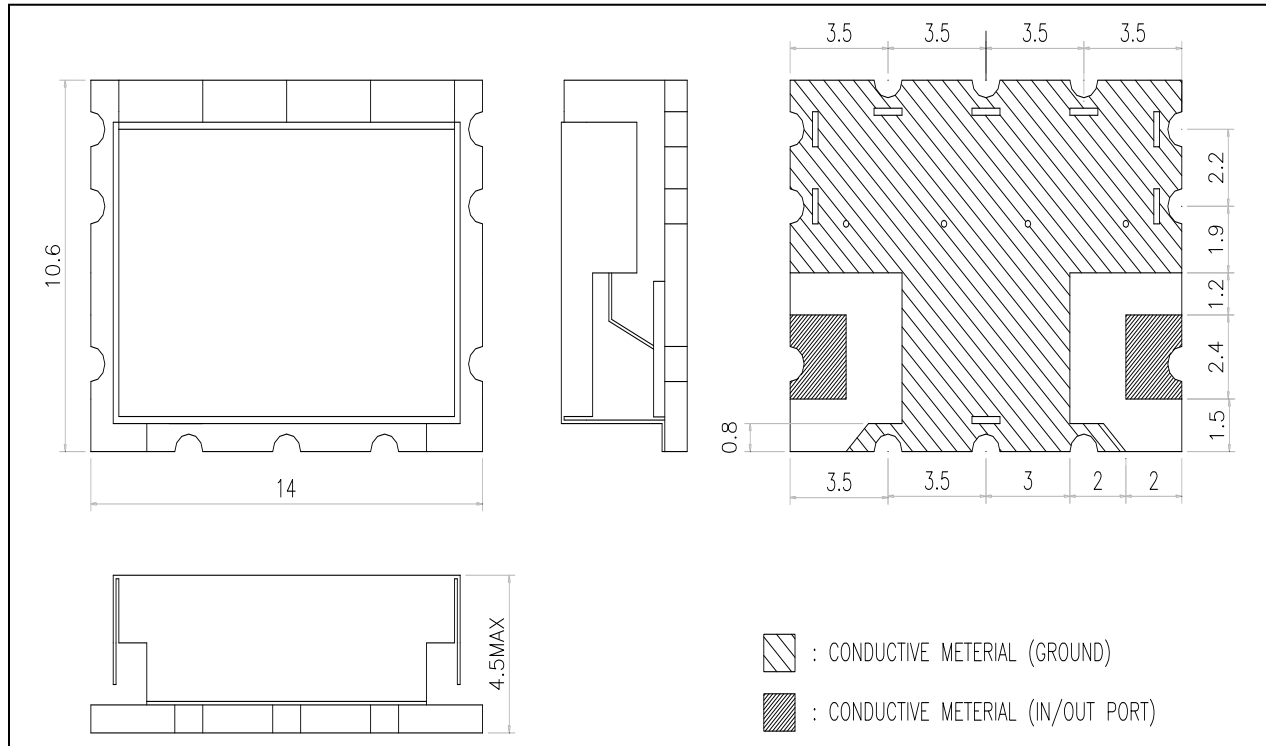
S21 vs S11 (INSERTION LOSS, RETURN LOSS, V.S.W.R, SMITH CHART)



S21 (30dB BAND WIDTH, ATTENUATION)



## 5. DIMENSIONS:



## MATERIAL SPECIFICATION

1. PCB
  - 1) MATERIAL: FR4
  - 2) TERMINALS: Au PLATED
2. METAL CASE
  - 1) MATERIAL: Sn OR Ni PLATED
3. RESONATOR
  - 1) COATING MATERIAL: Ag
4. ROHS Compliant

## MARKING

CF-25503004

Filtronetics

Date Code

UNIT: MM

TOLERANCE: +/-0.5MM

IN/OUT LAND : +/-0.3MM

## ● CAUTIONS:

1. When handling products, be careful not to damage the outer-electrode.
2. When handling products be careful not to touch the outer-electrode with bare hands or solder-ability is reduced.
3. Do not apply excessive pressure or shock to product in handling or in transportation or damage to the ceramic filters may result.