

SPECIFICATION
COMMERCIALY AVAILABLE

CERAMIC BANS PASS
PART NUMBER: CF-21500606
RoHS

Revised 01/31/2020 – To add ground footprint note

ISSUED / REVISION	ENGINEER APPROVED	DOCUMENT CHECKED	DRAFTSMAN	DOCUMENT CHECKED
9/27/11 DS	12/01/2011 TFG		12/01/2011 GL	
5/16/13 ^(kn)	06/03/2013 TFG		06/03/2013 GL	
01/31/2020 ^(ASM)	01/31/2020 ^(TG)			

FILTRONETICS Inc

1. APPLICATION

THIS SPECIFICATION APPLIES TO A BAND PASS FILTER, USING DIELECTRIC RESONATORS.

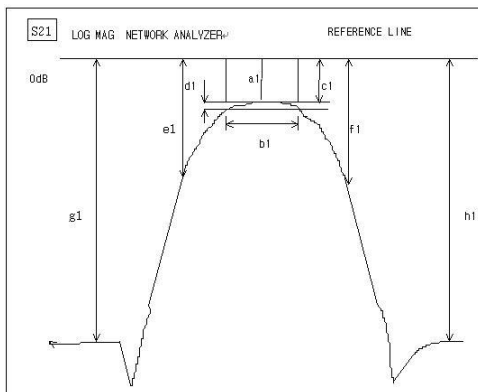
2. PART NUMBER:

PART NO	CF-21500606
PACKAGING	PLASTIC TRAY

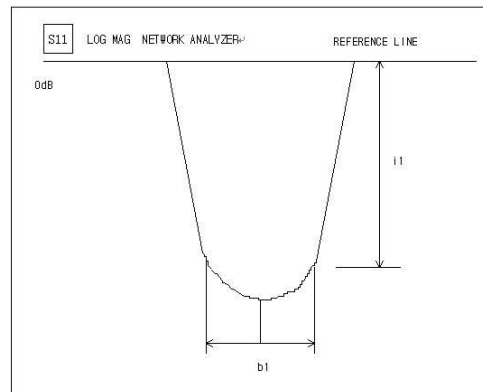
3. SPECIFICATIONS:

ITEMS	Ref.	SPECIFICATION
Center Frequency (Fo)	-	2150 MHz
Pass Band Width (=PB)	-	Fo +/-30Mhz
Insertion Loss AT Fo	-	3.0 dB Max
Ripple IN PB	-	0.2 dB Max @25 °C
		0.35 dB Max @-40 ~ +75 °C
45dB BAND WIDTH		280MHz Max
Return Loss IN PB	-	12 dB Min
Impedance	-	50Ω
Maximum Input Power	-	1 W (+30dBm)
Operating Temperature Range	-	-40 ~ +75 °C

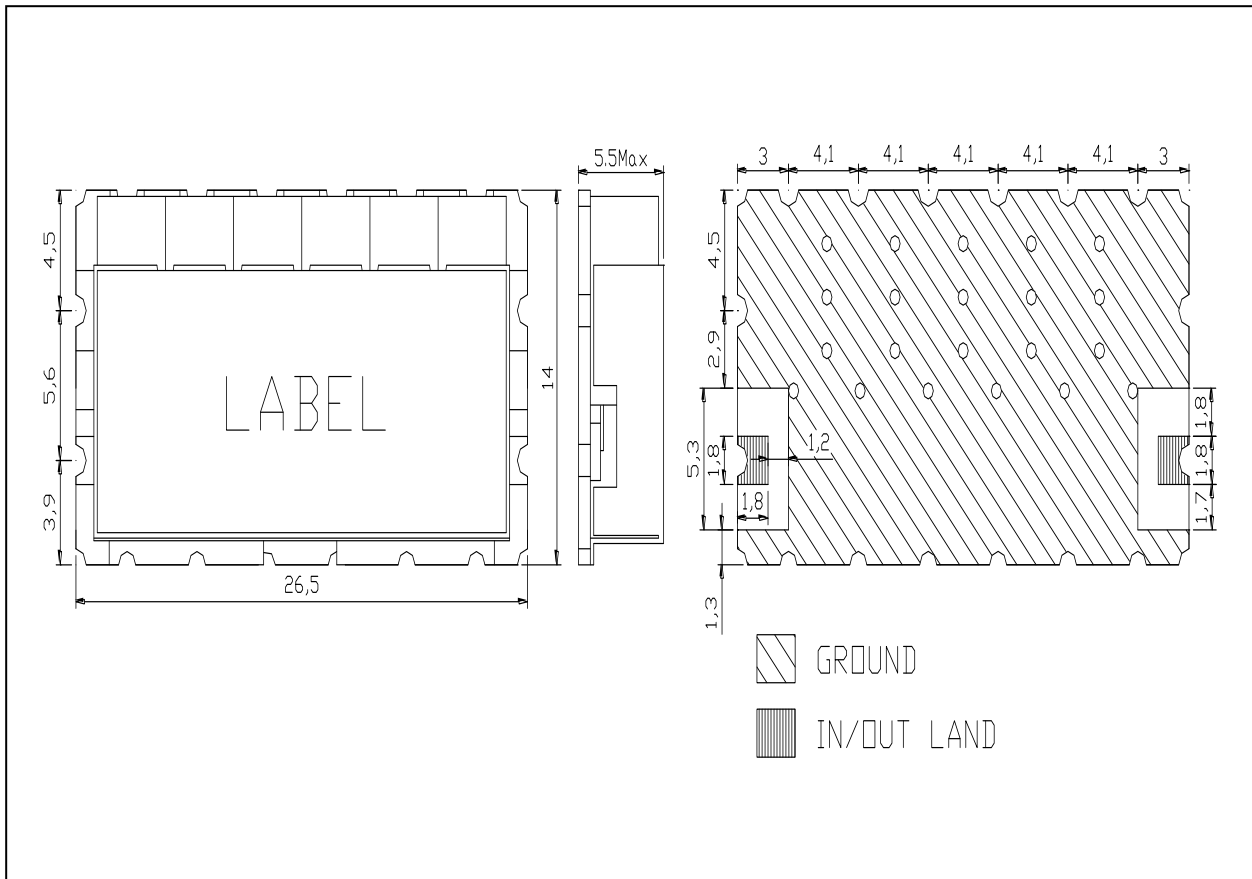
S21 LOG MAG NETWORK ANALYZER



S11 LOG MAG NETWORK ANALYZER



4. DIMENSIONS:



NOTE: Ground footprint may be pulled back from the edge within tolerance to meet production needs and better comply with IPC-A-600.

MATERIAL SPECIFICATION	
2.	PCB
1)	MATERIAL: FR4
2)	TERMINALS: Au PLATED
3.	METAL CASE
1)	MATERIAL: Sn PLATED
4.	RESONATOR
1)	COATING MATERIAL: Ag
5.	ROHS Compliant

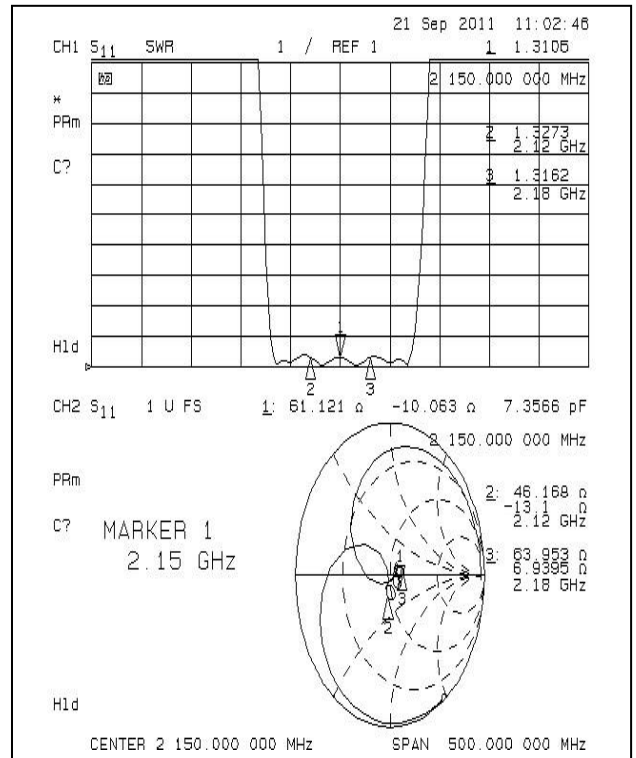
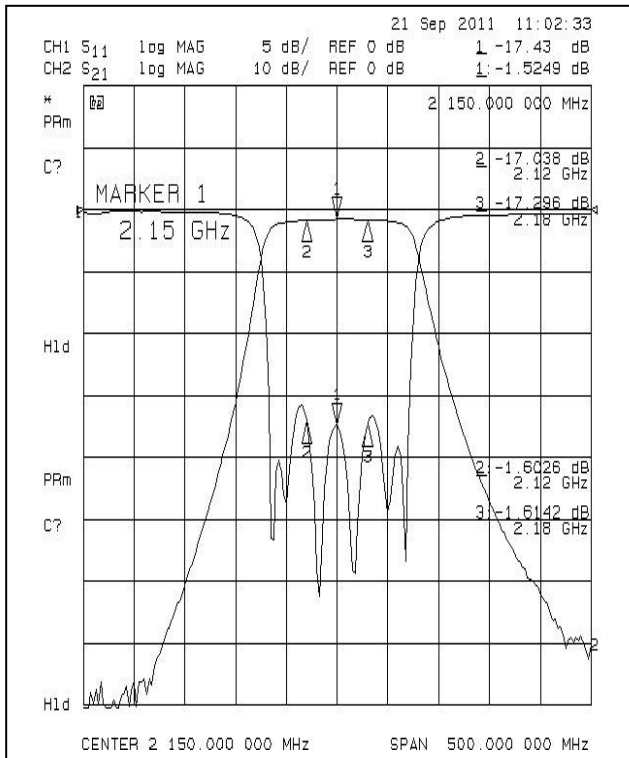
MARKING	
Part No:	CF-21500606
Filtronetics, Inc	
Date Code	
UNIT:	MM
TOLERANCE:	+/-0.5MM
IN/OUT LAND :	+/-0.3MM

CAUTIONS:

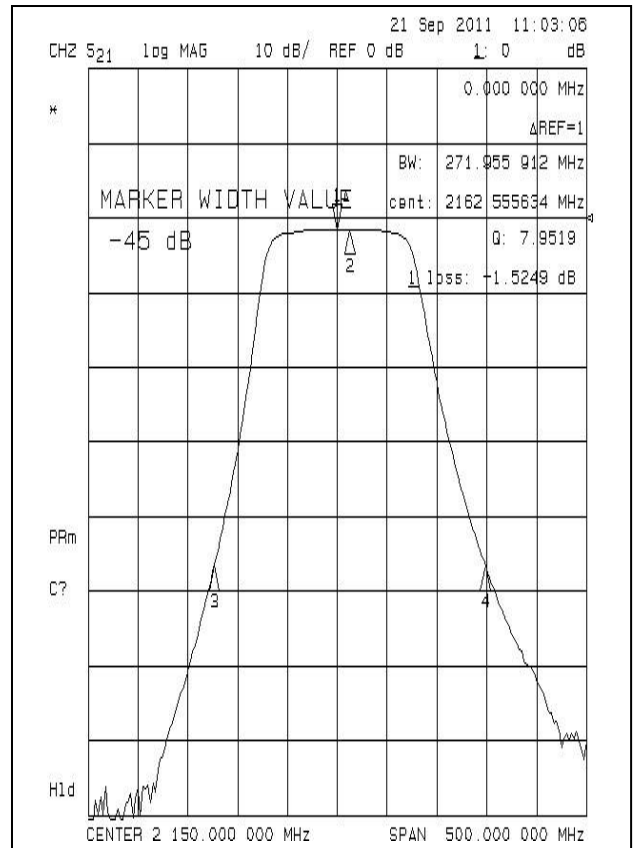
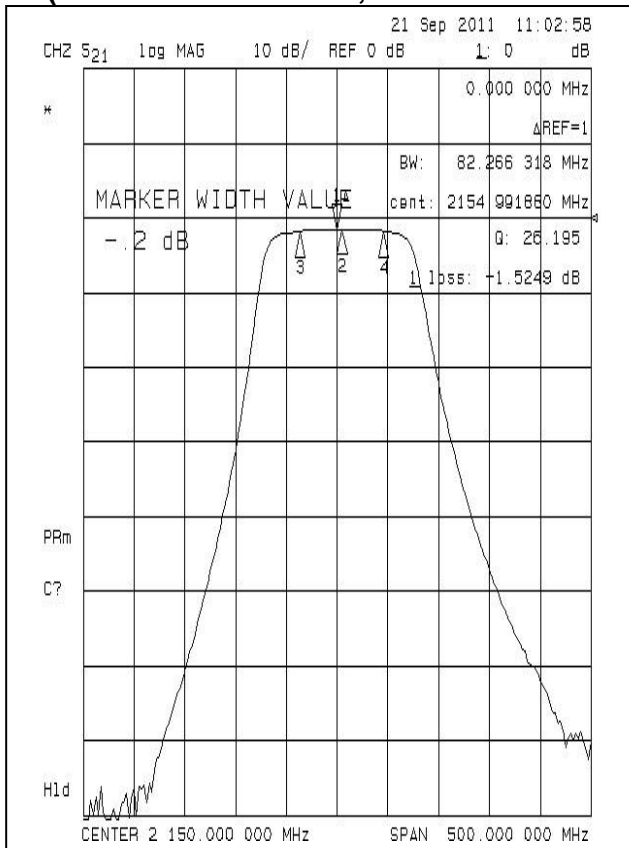
1. When handling products, be careful not to damage the outer-electrode.
2. When handling products be careful not to touch the outer-electrode with bare hands or solderability is reduced.
3. Do not apply excessive pressure or shock to product in handling or in transportation or damage to the ceramic filters may result.

5. GRAPHS:

S21 vs S11 (INSERTION LOSS, RETURN LOSS, V.S.W.R, SMITH CHART)



S21 (0.2 dB BAND WIDTH, 45 dB BAND WIDTH)



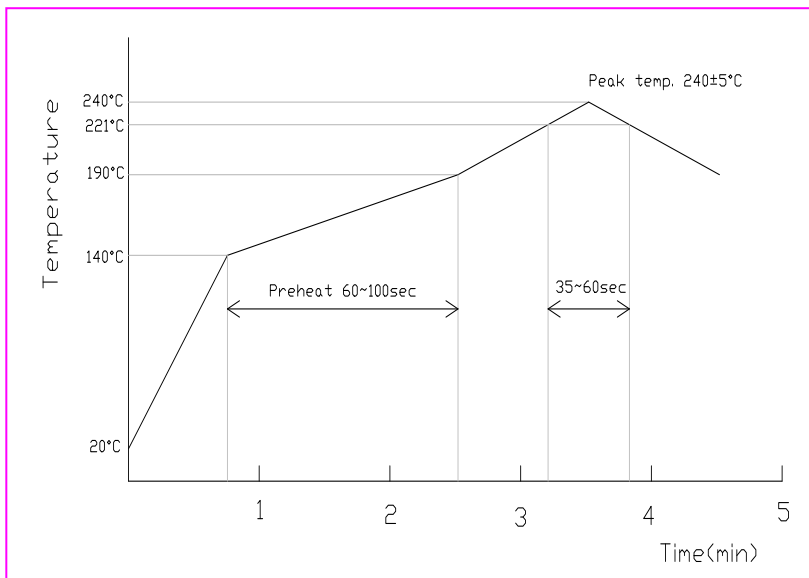
6. DEFINITIONS:

TERMS	DESCRIPTION	SPECIFICATION
Center Frequency	The midpoint of through band pass filter pass band, normally expressed as the arithmetic mean of the -3db point. Also called fo.	3. SPECIFICATION
Pass Band Width	The width of the pass band of a filter referenced to the minimum insertion loss point in the pass band. The pass band of a filter is stated as -1.0dB bandwidth.	
Insertion Loss	The loss of the filter, in db, measured at center frequency relative to a through line (0 dB).	
Attenuation	Reduction of RF power through a filter measured in dB, at desired band and referenced to 0 dB. (Filter to be removed from circuit)	
Pass Band Ripple	Variations in loss in the pass band of the filter, superimposed upon the fundamental shape of the pass band.	
V.S.W.R in Pass Band	The ratio of the maximum value of a standing wave to its minimum value, related to the return loss in pass band.	

7. RELIABILITY TEST AND CONDITIONS:

ITEM	TEST CONDITIONS	REQUIREMENTS
Resistance to solder heat	Preheat temperature : 120 to 150°C Preheat time: 1 to 1.5 min Solder temperature: 260 +/- 10°C Dipping time: 10 +/- 0.5 sec	No damage such as cracks should be caused in chip element.
Solderability	Preheat temperature: 120 to 150°C Preheat time: 1 to 1.5 min Solder temperature: 235 +/- 5°C Dipping time: 5 +/- 1 sec	More than 80% of the terminal electrode shall be covered with new solder
Heat resistance (High-temperature Load)	Temperature: 85 +/- 2°C Applied voltage: Rated voltage Applied current: Rated current Recovery: 1 to 2hrs of recovery under the standard condition after the removal from test chamber.	No mechanical damage. After test, the device shall satisfy the specification in section 3.
Thermal shock (Temperature cycle)	Conditions for 1 cycle Step 1: + 85°C 15 min Step 2 : - 30°C 15 min Number of cycle: 10	No mechanical damage. After test, the device shall satisfy the specification in section 3.
Humidity Resistance	Temperature: 40 +/- 2°C Humidity: 90 to 95% RH Duration: 96 +/- 5 hrs Recovery: 1 to 2hrs of recovery under the standard condition after the removal from test chamber.	No mechanical damage. After test, the device shall satisfy the specification in section 3.
Vibration	Frequency: 10 ~ 50 Hz Amplitude: 1.52mm (0.060 inches) Direction: X, Y and Z Time: each 30 min for all directions	No mechanical damage. After test, the device shall satisfy the specification in section 3.

8. REFLOW SOLDERING STANDARD CONDITIONS FOR RoHS



- Measuring point of temperature in-out terminals of the device.
- Reflow Soldering
- Both convection and infrared rays
- Hot air
- Hot plates
- Solder Cream: Sn96.5/Ag3.5