

# SPECIFICATION

COMMERCIALY AVAILABLE

ITEM: DIELECTRIC CERAMIC FILTER  
PART NUMBER:CF-21400604

Revision Made:

ISSUED / REVISION	ENGINEER APPROVED	DOCUMENT CHECKED	DRAFTSMAN
7/30/04 **	5/13/2010 SRJ	5/18/2010 BF	5/18/2010 GL

**FILTRONETICS Inc**

**1. APPLICATION**

THIS SPECIFICATION APPLIES TO BAND PASS FILTER USING DIELECTRIC RESONATORS.

**2. PART NUMBER**

PART NO	CF-21400604
---------	-------------

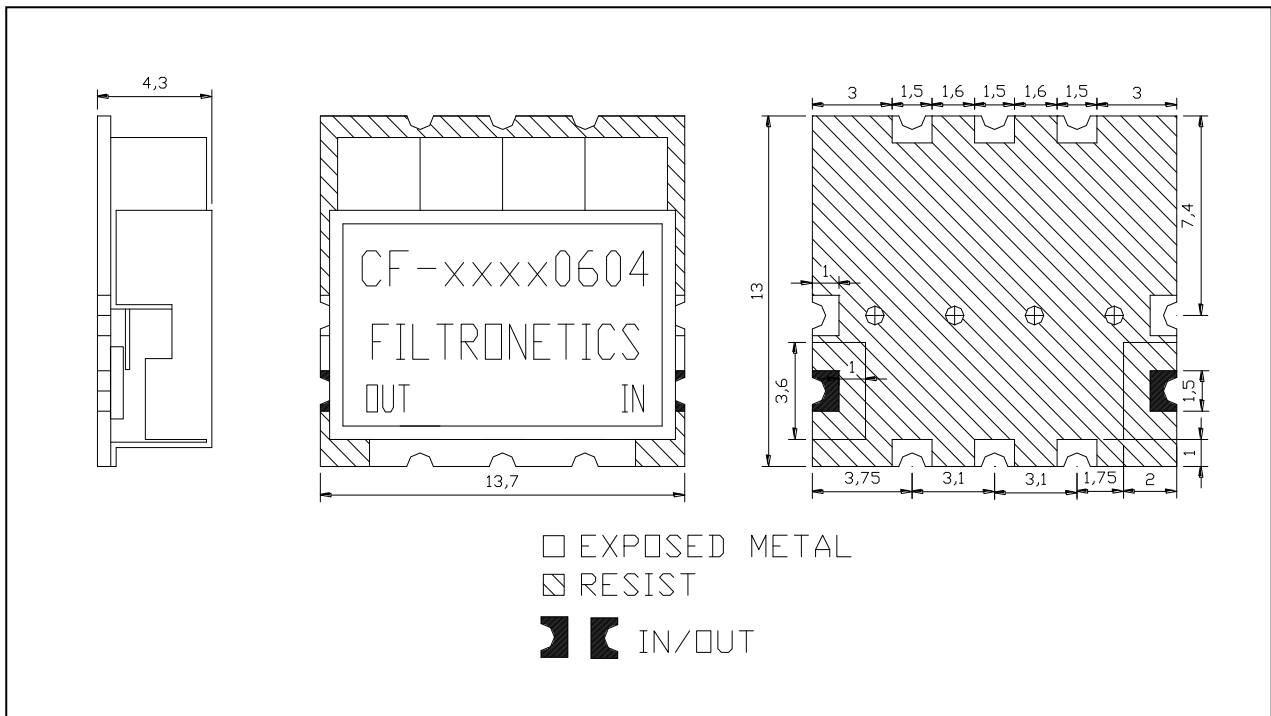
**3. SPECIFICATIONS**

NO	ITEMS	Ref.	SPECIFICATION
1	Center Frequency (Fo)	a1	2140 MHz
2	Pass Band Width (PB)	b1	Fo+/-30 MHz
3	Insertion Loss      IN PB	b1	3.0 dB Max
4	ATTENUATION	g1	12 dB Min
	AT 1920~1980 MHz		-
5	V.S.W.R                      IN PB		1.8 :1 MAX
6	Impedance		50Ω
7	Maximum Input Power		1 W (+30 dBm)
8	Operating Temperature Range		-35 to +75°C

4. DIMENSIONS

IN/OUT LAND  
TOLERANCE: +/-0.3MM

UNIT: MM  
TOLERANCE: +/-0.5MM



- ※ MATERIAL SPECIFICATION
1. PCB
    - 1) MATERIAL: FR4
    - 2) TERMINALS: Au PLATED
  2. METAL CASE
    - 1) MATERIAL: Sn OR Ni PLATED
  3. RESONATOR
    - 1) COATING MATERIAL: Ag
    - 2) DIMENSION: 8MM x 8MM

- ※ MARKING
- CF-21400604  
 Filtronetics, Inc  
 Date Code

- CAUTIONS:
1. When handling products, be careful not to damage the outer-electrode.
  2. When handling this product be careful not to touch the outer-electrode with bare hands or solder-ability is reduced.
  3. Do not apply excessive pressure or shock to product in handling or in transportation or damage to the ceramic filters may result.