

SPECIFICATION

COMMERCIALY AVAILABLE

ITEM: DIELECTRIC CERAMIC FILTER
PART NUMBER: CF-11820626

Prepared By:

Revised By:

ISSUED	CHECKED	CHECKED	CHECKED	APPROVED

FILTRONETICS Inc

1. APPLICATION

THIS SPECIFICATION APPLIES TO A BAND PASS FILTER USING DIELECTRIC RESONATORS.

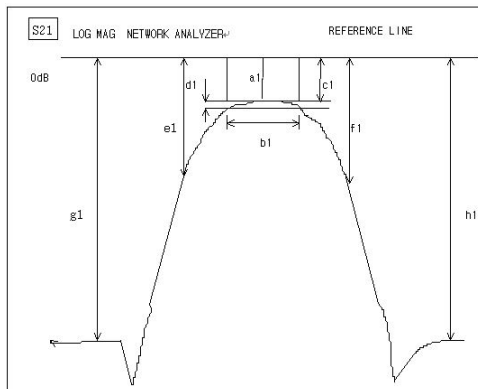
2. PART NUMBER

PART NO	CF-11820626
PACKAGING	PLASTIC TRAY

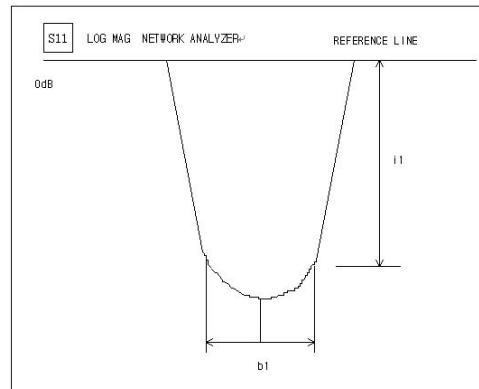
3. SPECIFICATIONS

NO	ITEMS	Ref.	SPECIFICATION
1	Center Frequency (Fo)	-	1182 MHz
2	Pass Band Width (=PB)	-	62 Mhz
3	Insertion Loss AT Fo	-	2.2 dB Max
4	Ripple IN Fo+/-31 MHz	-	3.0 dB Max
5	Attenuation	At 1142 MHz	10 dBc Min
		At 1222 MHz	10 dBc Min
6	V.S.W.R IN Fo+/-31 MHz	-	1.7 :1 Max
7	Impedance	-	50Ω
8	Maximum Input Power	-	1 W (+30dBm)
9	Operating Temperature Range	-	-40 ~ +80 °C

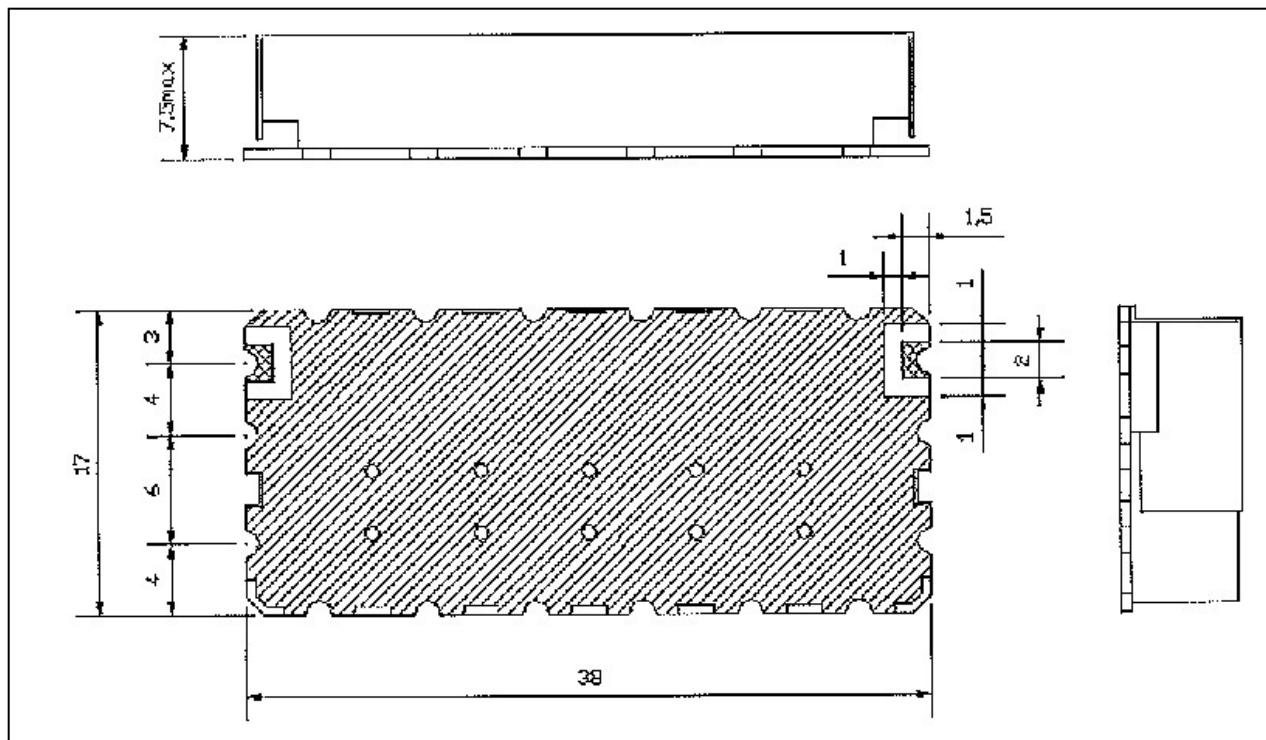
S21 LOG MAG NETWORK ANALYZER



S11 LOG MAG NETWORK ANALYZER



4. DIMENSIONS



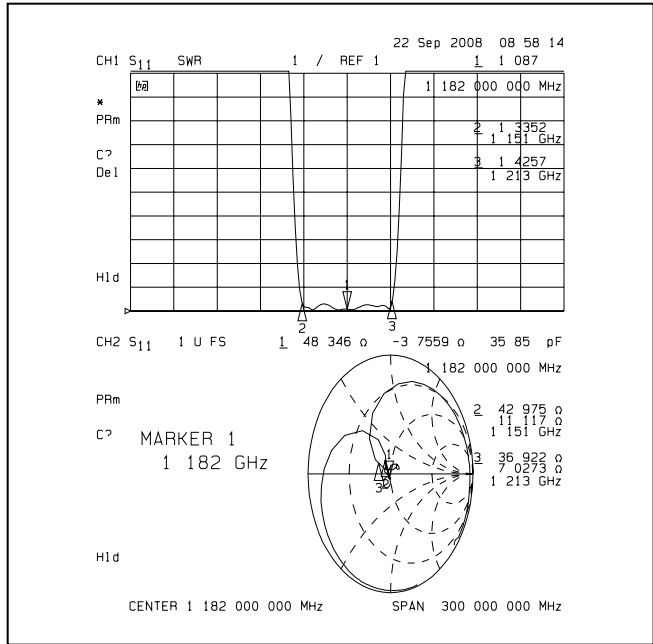
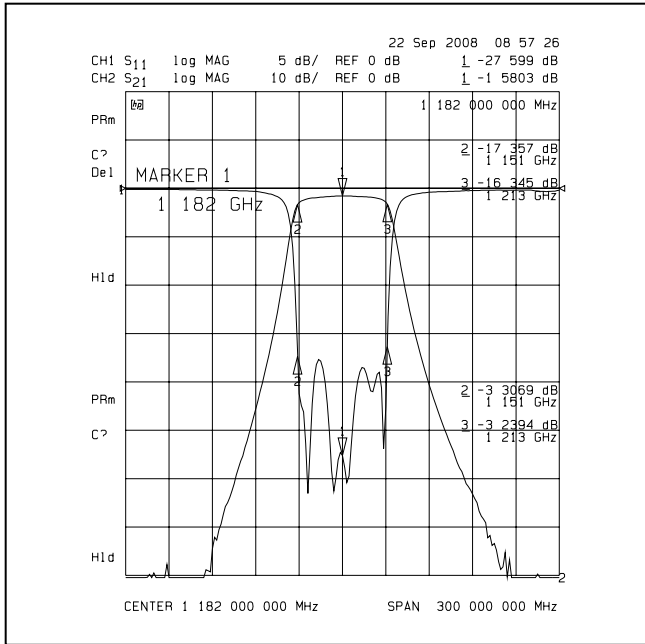
<p>MATERIAL SPECIFICATION</p> <ol style="list-style-type: none"> 1. PCB <ol style="list-style-type: none"> 1) MATERIAL: FR4 2) TERMINALS: Au PLATED 2. METAL CASE <ol style="list-style-type: none"> 1) MATERIAL: Sn OR Ni PLATED 3. RESONATOR <ol style="list-style-type: none"> 1) COATING MATERIAL: Ag 4. ROHS Compliant 	<p>MARKING</p> <p>Part No: CF-11820626 Filtronetics, Inc Date Code</p> <p>UNIT: MM TOLERANCE: +/-0.5MM IN/OUT LAND : +/-0.3MM</p>
---	---

● **CAUTIONS:**

1. When handling products, be careful not to damage the outer-electrode.
2. When handling products be careful not to touch the outer-electrode with bare hands or solderability is reduced.
3. Do not apply excessive pressure or shock to product in handling or in transportation or damage to the ceramic filters may result.

5. GRAPHS

S21 vs S11(INsertion Loss, RETURN LOSS, S11,S22 RETURN LOSS)



S21(ATTENUATION 3.0DB BAND WIDTH)

