

SPECIFICATION

COMMERCIALY AVAILABLE

ITEM: DIELECTRIC CERAMIC FILTER

PART NUMBER: CF-04280443

1/14/09 changed IL

Prepared By:

Revised By:

ISSUED	CHECKED	CHECKED	CHECKED	APPROVED

FILTRONETICS Inc

1. APPLICATION

THIS SPECIFICATION APPLIES TO A BAND PASS FILTER USING DIELECTRIC RESONATORS.

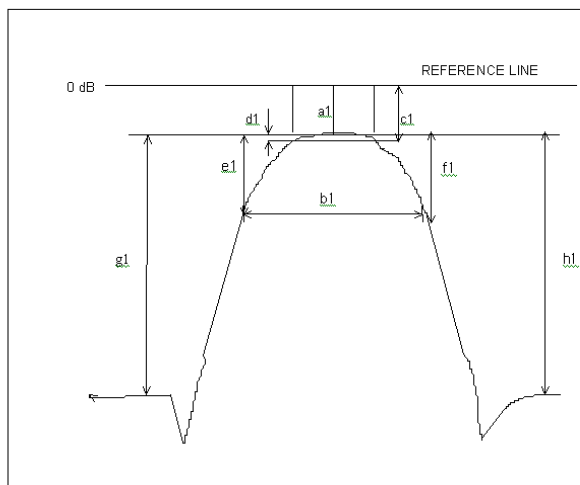
2. PART NUMBER

PART NO	CF-04280443
---------	-------------

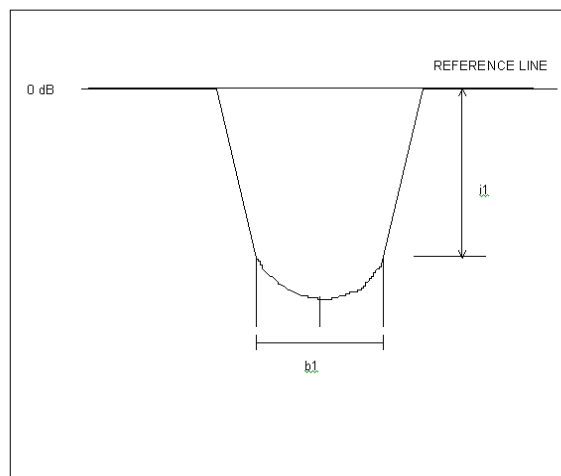
3. SPECIFICATIONS

NO	ITEMS	Ref.	SPECIFICATION
1	Center Frequency (Fo)	a1	428 MHz
2	PASS Band Width	b1	Fo +/- 22 MHz
3	Insertion Loss AT 425~435MHz	c1	0.75 dB Max @ 25°C
			1 dB Max @ 40~70°C
4	Insertion Loss AT 406~450MHz	c1	1.0 dB Max
	V.S.W.R AT 425~435MHz	b1	1.5 : 1
5	V.S.W.R AT 406~450MHz	b1	2.0 : 1
		Attenuation	AT 270 MHz
AT 600 MHz	h1		50dB Min
6	Impedance		50 Ohms
7	Maximum Input Power		1 W (+30dBm)
8	Operating Temperature Range		-40 - +71°C
9	Storage temperature Range		-55 - +85°C

S21 LOG MAG NETWORK ANALYZER

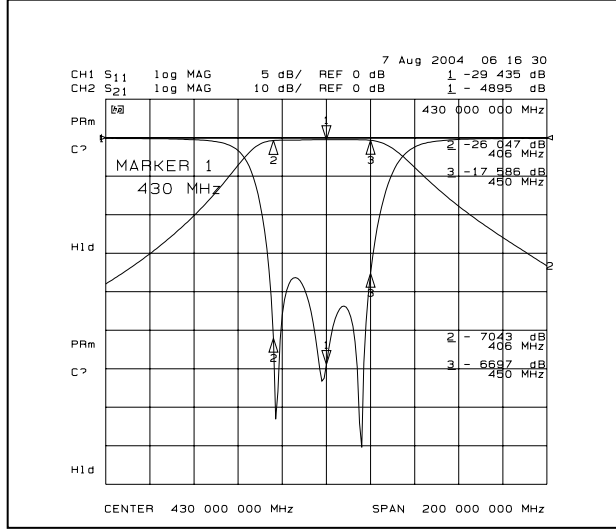
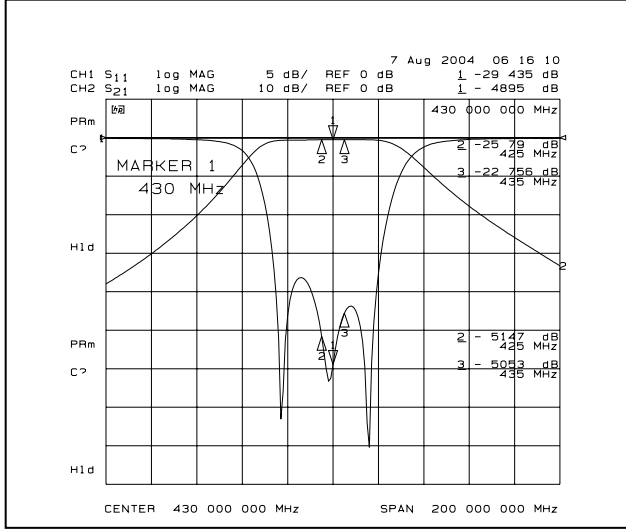


S11 SWR NETWORK ANALYZER

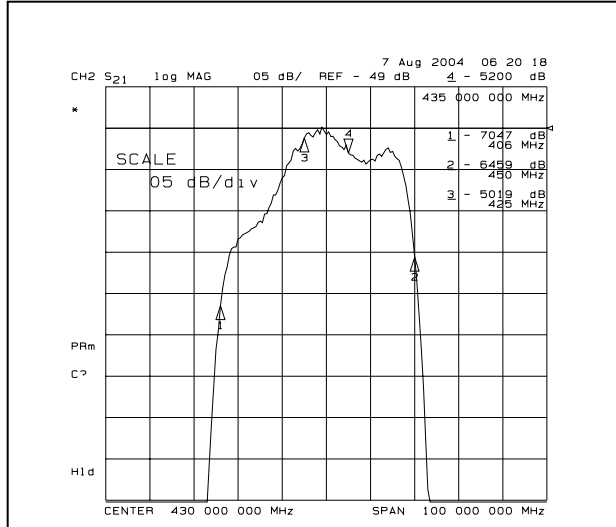
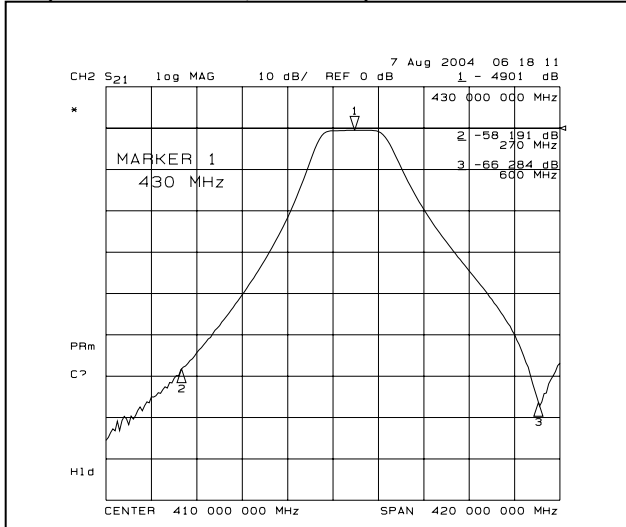


4. GRAPHS

S21 & S11 (INSERTION LOSS, RETURN LOSS)



S21 (ATTENUATION, RIPPLE)



S11 (V.S.W.R, SMITH CHART)

