

SPECIFICATION

COMMERCIALLY AVAILABLE

CAVITY BAND PASS
PART NUMBER: FNP-1480

09/13/2019 – Revised Fo and BW

ISSUED / REVISION	ENGINEER APPROVED	DOCUMENT CHECKED	DRAFTSMAN
08/27/2019 ^(ASM)			
09/13/2019 ^(ASM)			

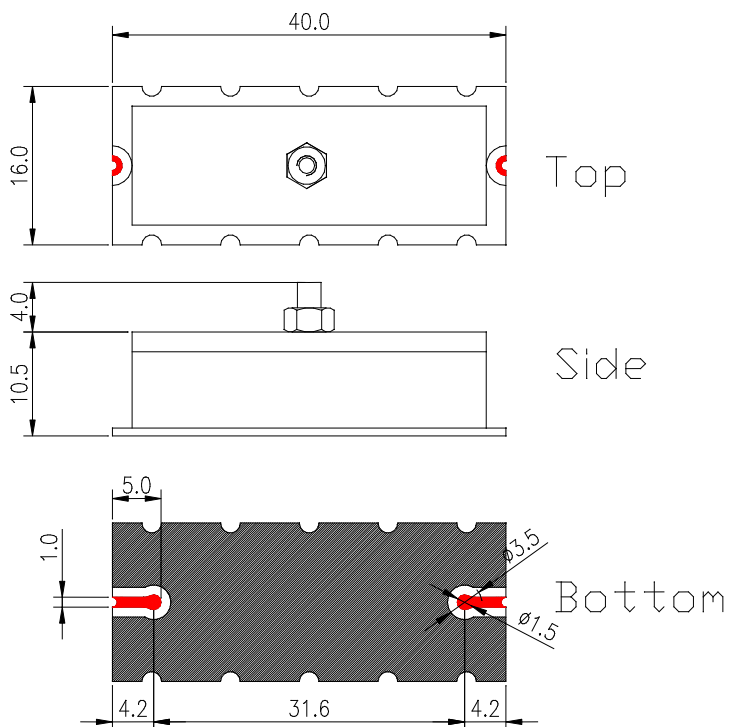
FILTRONETICS Inc

1. Part Number: FNP-1480

2. Electrical Specifications:

Parameter	Unit	Specification
Center Frequency	MHz	26250
Pass Bandwidth	MHz	$F_c \pm 750$ (25500~27000MHz)
Insertion Loss in BW	dB	2.0 Max
Pass Band Ripple in BW	dB	1.0 Max
Return Loss in BW	dB	15.0 Min.
Attenuation	dB	50 min. @ F_c-3400 MHz 50 min. @ F_c+3400 MHz
Input Power	dBm	20 Max.
Operating Temp. Range	°C	-30 ~ +70

3. Mechanical Package Style: (Unit of Measure: mm)



Marking:
Filtronetics
FNP-1480
Date Code (YYWW)

4. Theoretical Response:

