

SPECIFICATION
COMMERCIALLY AVAILABLE

ITEM: CAVITY BAND PASS FILTER
PART NUMBER: FNP-1459

ISSUED / REVISION	ENGINEER APPROVED	DOCUMENT CHECKED	DRAFTSMAN
09/27/2018 ^{AM}			

FILTRONETICS Inc

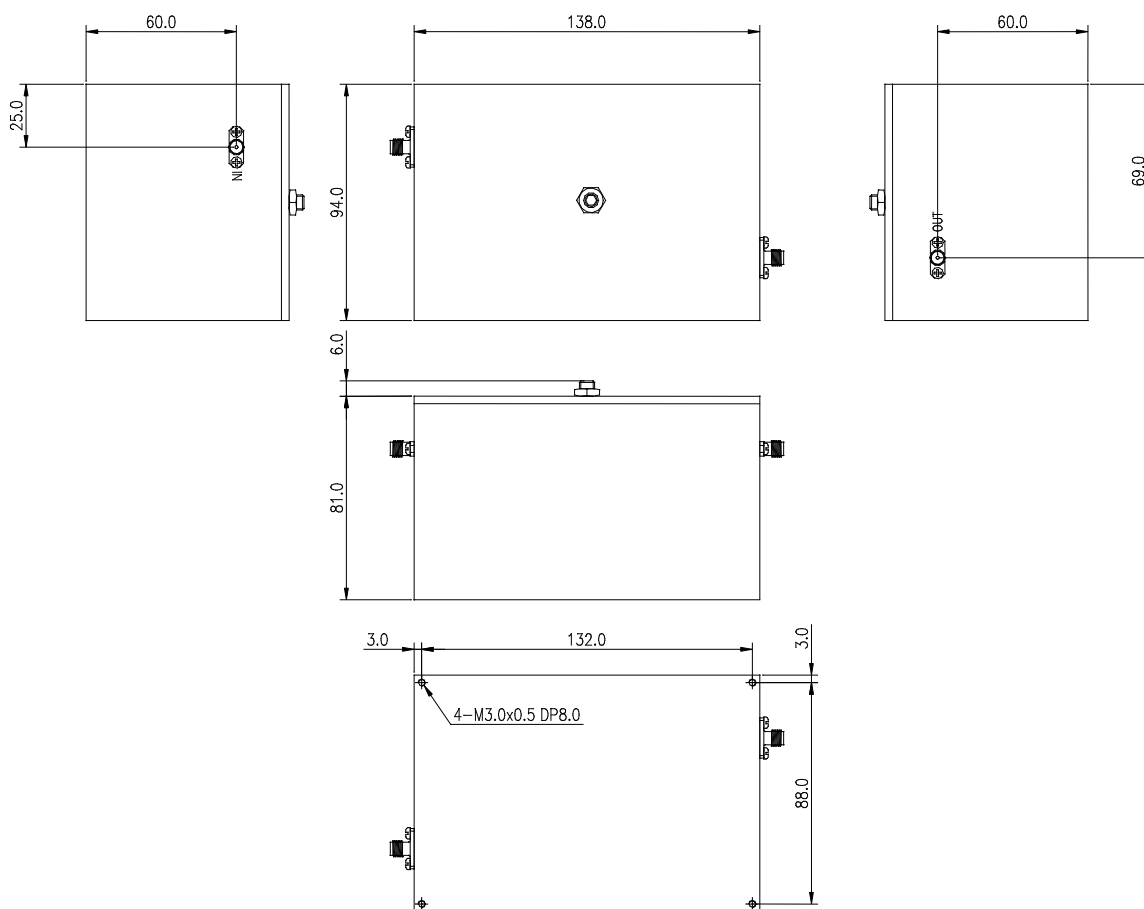
1. Part Number: FNP-1459

2. Electrical Specifications:

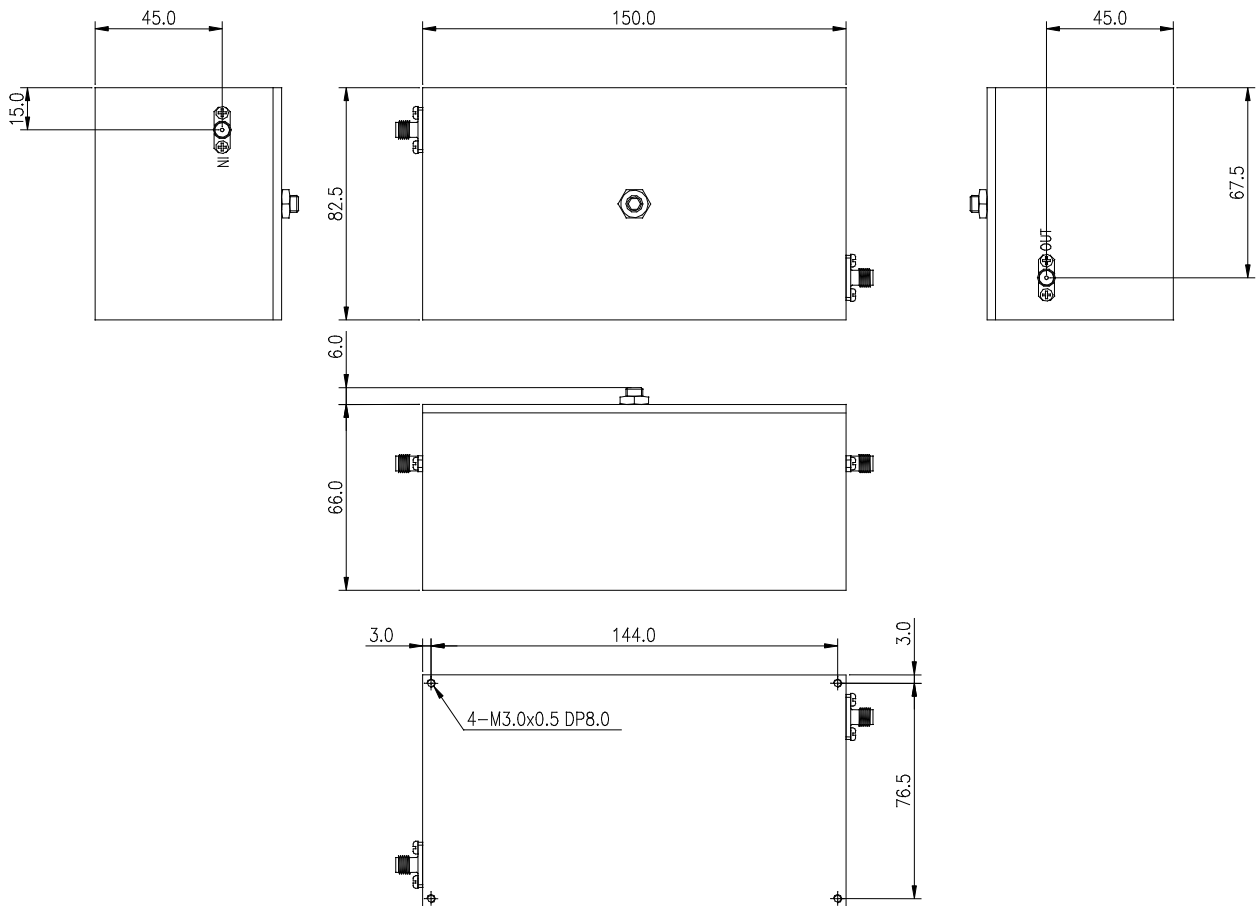
Parameter	Unit	Specification
Center Frequency	MHz	382.5
Pass Bandwidth	MHz	$F_c \pm 2.5$ (380~385MHz)
Insertion Loss in BW	dB	1.5 MAX
Pass Band Ripple in BW	dB	0.6 MAX
Return Loss in BW	dB	20.0 MIN
Attenuation	dB	30 min. @ ± 5.0 MHz 40 min. @ ± 10.0 MHz
Input Power	W	20 CW MAX
Connector	-	SMA(Female) – All ports
IN/OUT Impedance	Ω	50
Operating Temp. Range	$^{\circ}\text{C}$	-20 ~ +55
Finish	-	Black Painting

3. Mechanical Package Style: [Unit: mm]

Option 1



Option 2



4. Graphs:

