

HIGH POWER LOWPASS FILTER

Fc: 807 MHz

PASS BAND: 626 to 807 MHz

PASS BAND INSERTION LOSS: 0.5 dB MAXIMUM

PASS BAND RETURN LOSS: 14 dB MINIMUM

PASS BAND GROUP DELAY VARIATION: 4 nSEC MAXIMUM

STOP BAND ATTENUATION: 40 dBc MIN ABOVE 1252 MHz

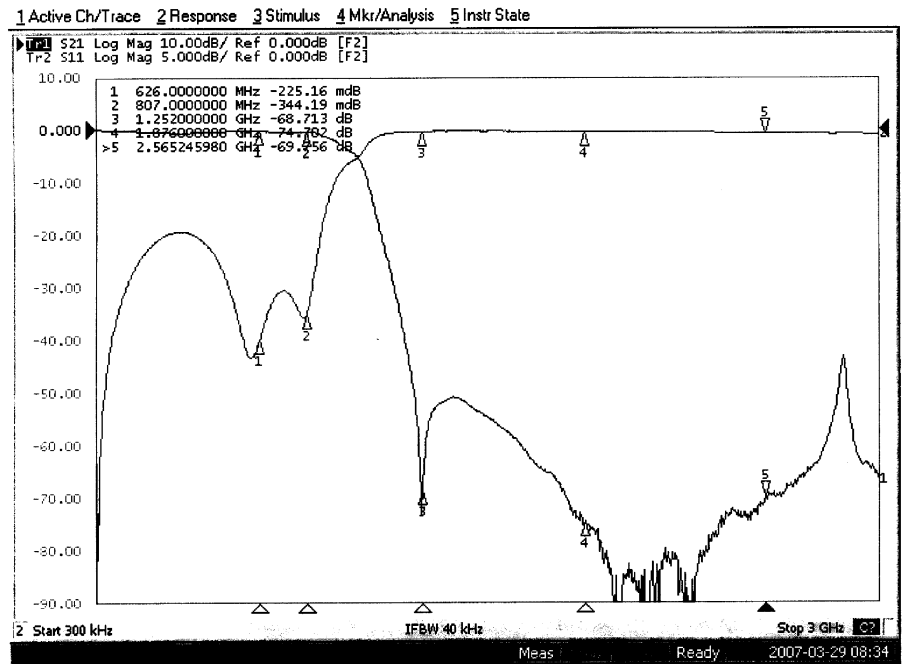
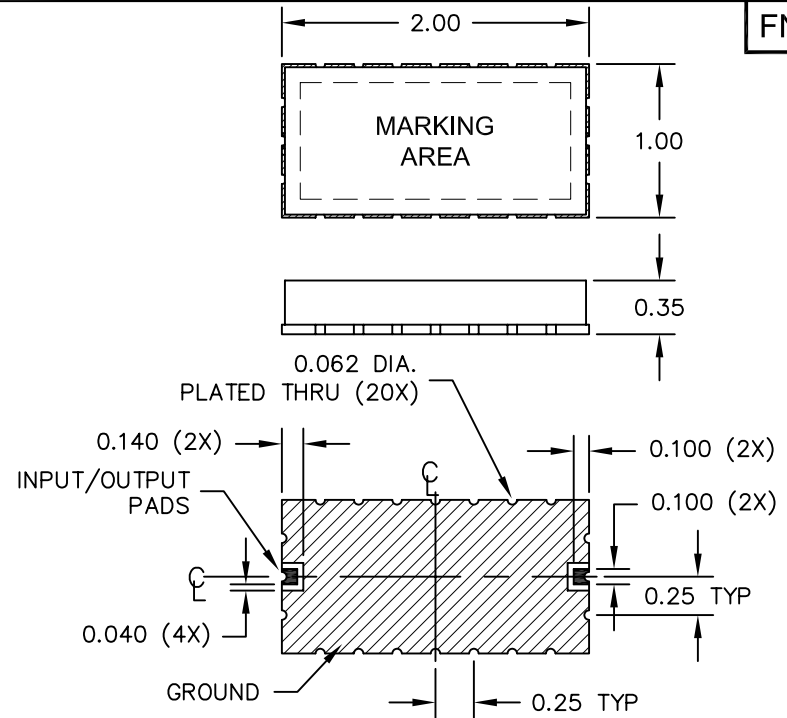
STOP BAND ATTENUATION: 70 dBc MIN UP TO 2 GHz

PASS BAND POWER: 100 WATTS RMS

IMPEDANCE: 50 OHMS (IN & OUT)

OPERATING TEMPERATURE: -40°C TO +85°C

FN-3816W



FN-3816W DRAWING SUMMARY

FILTRONETICS, INC.

6010 PARRETTA DR.
 KANSAS CITY, MO 64120
 816-231-7375
 FAX 816-241-0368
 WWW.FILTRO.NET

TOLERANCES UNLESS NOTED

ANGLE = ± 1°	HOLES
.XX = ± .020	± .002
.XXX = ± .010	

REVISED 4/12/2007