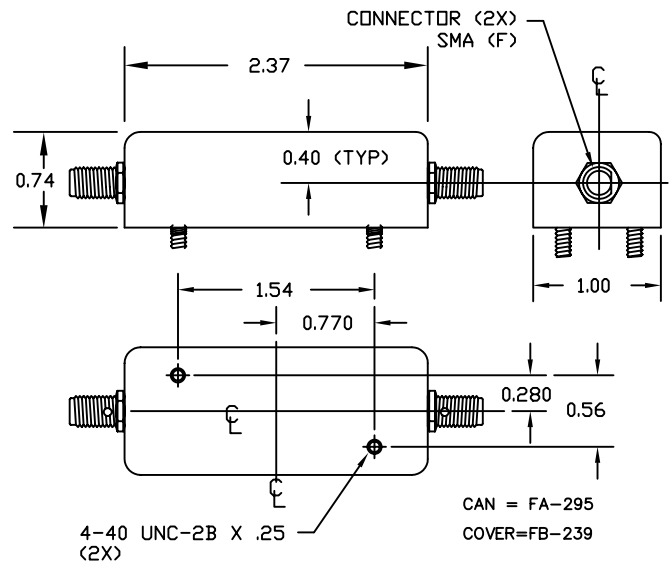


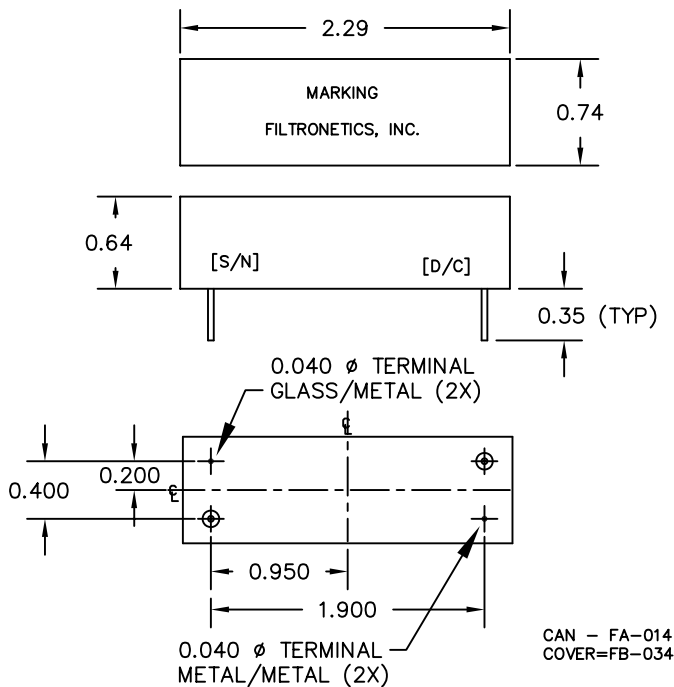
BANDSTOP FILTER

Fo: 70.0 MHz
 50 dB NOTCH BANDWIDTH: 8 KHz MIN
 3dB PASS BAND BANDWIDTH: ± 150 KHz to ± 10 MHz
 INSERTION LOSS: 3 dB MAX
 IMPEDANCE: 50 OHMS (IN & OUT)
 OPERATING TEMPERATURE: 0°C TO +70°C

FN-2064WF



FN-2064W



FN-2064W DRAWING SUMMARY

FILTRONETICS, INC.
 6010 PARRETTA DR.
 KANSAS CITY, MO 64120
 816-231-7375
 FAX 816-241-0368
 WWW.FILTRO.NET

TOLERANCES UNLESS NOTED

.XX = $\pm .020$	ANGLE = $\pm 1^\circ$
.XXX = $\pm .010$	HOLES = $\pm .002$

REVISED 10/11/2012 PER ECO 4423