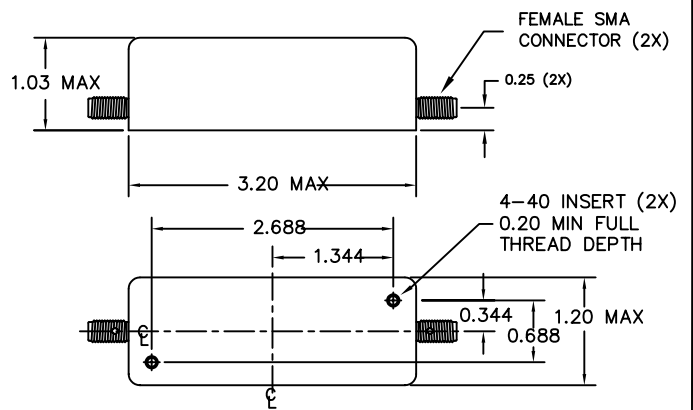


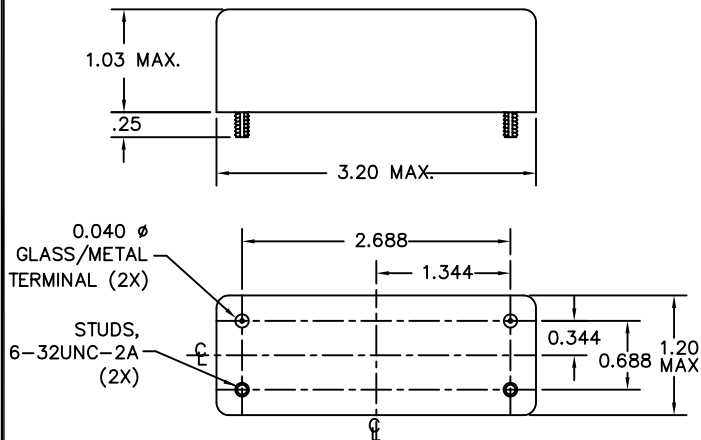
## LOW PASS FILTER

.2 dB CUTOFF: 75 KHz MIN  
 IMPEDANCE : 2000 ohm IN /  
 OUT  
 INSERTION LOSS: 1 dB MAX  
 RIPPLE: 0.2 dB MAX  
 60dB STOPBAND: 146 KHz MAX  
 GROUP DELAY VARIATION: 100 nSEC MAX  
 to 53 KHz  
 OPERATING TEMPERATURE : -20°C to +70°C

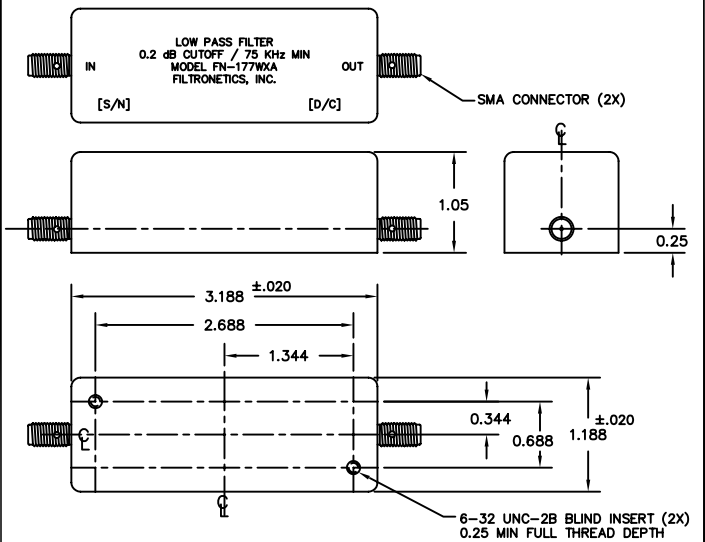
FN-177WKMOD



FN-177W



FN-177WXA



### FN-177W DRAWING SUMMARY

**FILTRONETICS, INC.**  
 6010 PARRETTA DR.  
 KANSAS CITY, MO 64120  
 816-231-7375  
 FAX 816-241-0368  
 WWW.FILTRO.NET

TOLERANCES UNLESS NOTED

.XX = ± .020  
 .XXX = ± .010

ANGLE = ± 1°  
 HOLES = ± .002

REVISED 10/10/2013

FILTRONETICS, INC. PROVIDES CUSTOM FILTERS, PLEASE CONTACT FACTORY.  
 DRAWING SUBJECT TO CHANGE WITHOUT NOTICE.