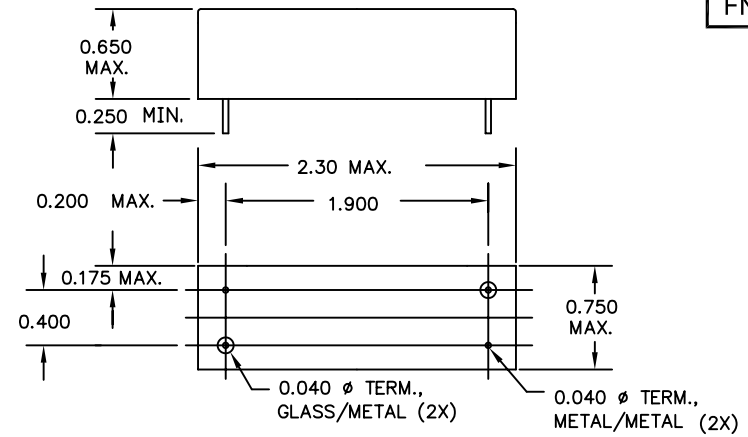


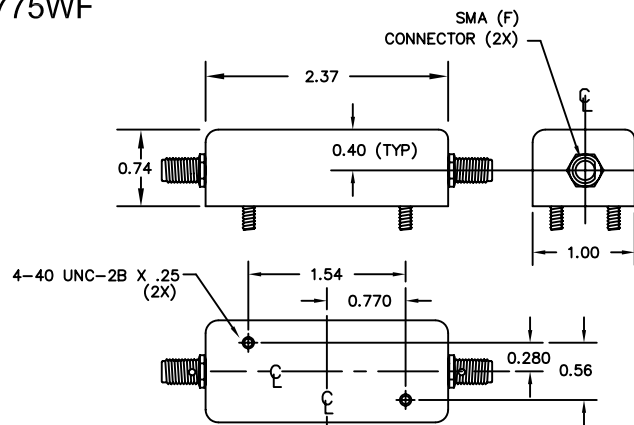
BANDPASS FILTER

Fc: 70.0 MHz
IMPEDANCE : 50 OHMS (IN & OUT)
INSERTION LOSS : 5.0 dB MAX
RIPPLE : 1.0 dB MAX
3 dB BANDWIDTH : ±3.5 KHz MIN
30dB BANDWIDTH: 20 KHz MAX
60dB BANDWIDTH : 30 KHz MAX
OPERATING TEMPERATURE : +15°C TO +35°C

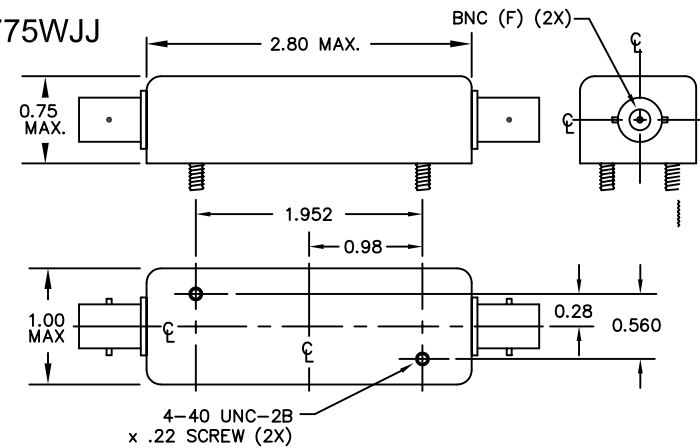
FN-1775W



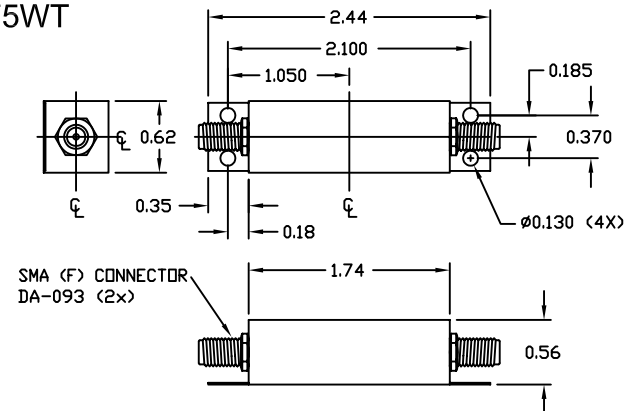
FN-1775WF



FN-1775WJJ



FN-1775WT



FN-1775W DRAWING SUMMARY

FILTRONETICS, INC.
 6010 PARRETTA DR.
 KANSAS CITY, MO 64120
 816-231-7375
 FAX 816-241-0368
 WWW.FILTRO.NET

TOLERANCES UNLESS NOTED

ANGLE = ± 1°	HOLES ± .002
.XX = ± .020	
.XXX = ± .010	

REVISED 12/08/11