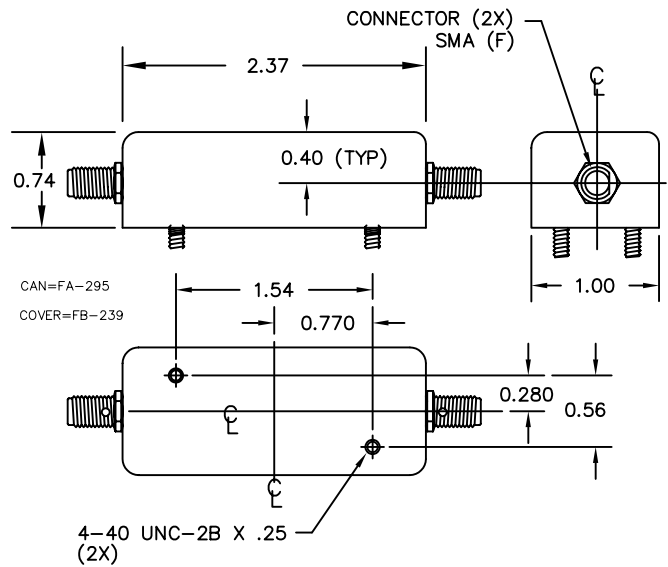


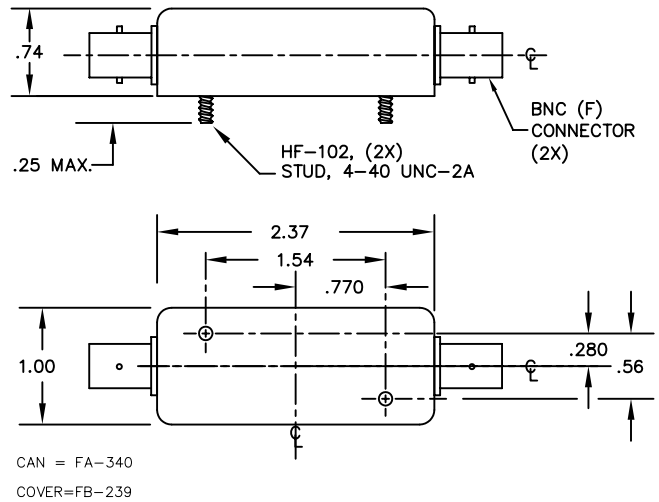
# Xtal BANDPASS FILTER

Fo: 70 MHz  
 IMPEDANCE : 50 ohms IN/OUT  
 INPUT POWER; 0dBm MAX  
 INSERTION LOSS: 5 dB MAX  
 RIPPLE: 1 dB MAX  
 3dB BANDWIDTH: ±4 KHz MIN  
 30dBc BANDWIDTH: 20 KHz MAX  
 60dBc BANDWIDTH: 40 KHz MAX  
 OPERATING TEMPERATURE : -30°C to +60°C

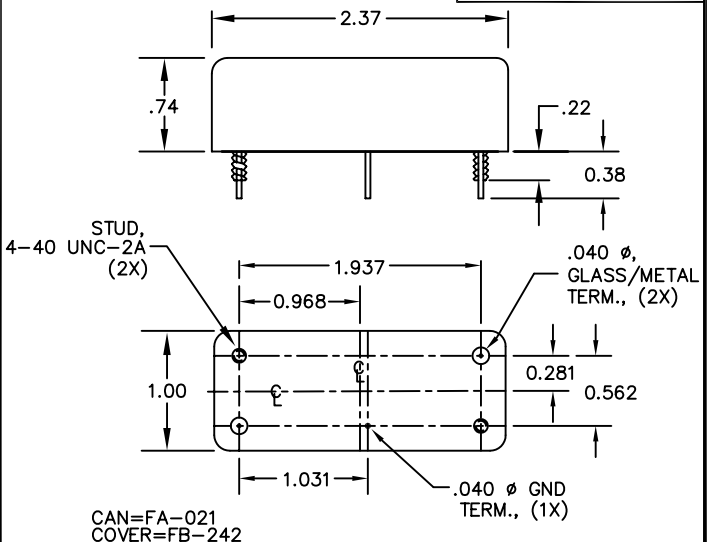
FN-1725WF



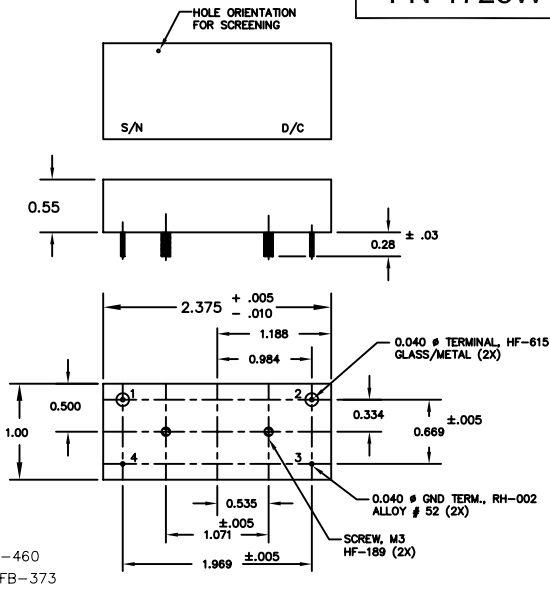
FN-1725WK



FN-1725WD



FN-1725W



## FN-1725W DRAWING SUMMARY

**FILTRONETICS, INC.**  
 6010 PARRETTA DR.  
 KANSAS CITY, MO 64120  
 816-231-7375  
 FAX 816-241-0368  
 WWW.FILTRO.NET

TOLERANCES UNLESS NOTED

.XX = ± .020  
 .XXX = ± .010

ANGLE = ± 1°  
 HOLES = ± .002

REVISED PER ECO 4423 10/11/2012