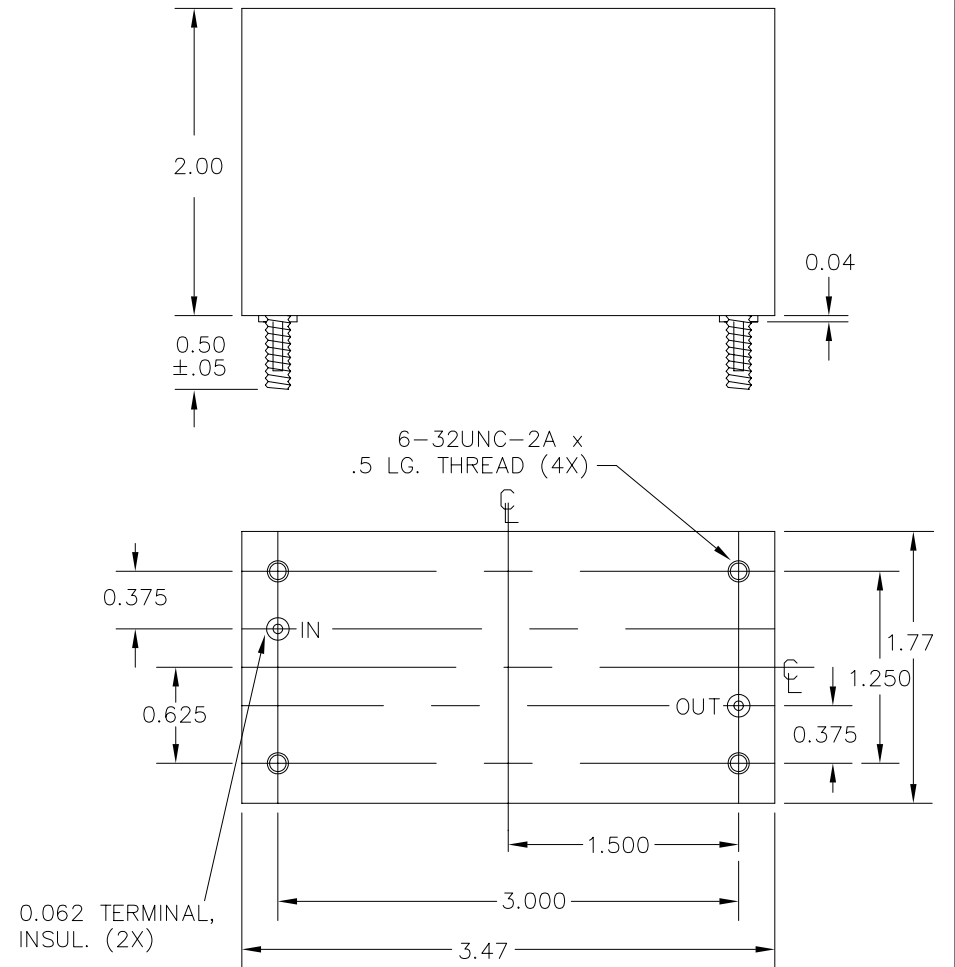


# BANDPASS FILTER

**Fo:** 41 KHz  
**IMPEDANCE :** 1000 ohm IN /OUT  
**INSERTION LOSS:** 2 dB MAX  
**RIPPLE:** 1 dB MAX  
**3dB BANDWIDTH:** 300 Hz MIN  
**60dB BANDWIDTH:** 1000 Hz MAX  
**OPERATING TEMPERATURE :** +15°C TO +35°C



## FN-1568W DRAWING SUMMARY

**FILTRONETICS, INC.**  
 6010 PARRETTA DR.  
 KANSAS CITY, MO 64120  
 816-231-7375  
 FAX 816-241-0368  
 WWW.FILTRO.NET

TOLERANCES UNLESS NOTED

ANGLE = ± 1°	HOLES
.XX = ± .020	± .002
.XXX = ± .010	

REVISED 8/25/03